



# Werkplace

Let's Talk Furniture



ARE YOU IN NEED OF SOLUTIONS FOR ELECTRICAL, DATA AND TELEPRESS CONNECTIVITY FOR ROOMS AND FURNITURE?

We have The solution !



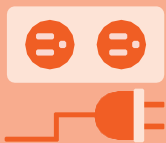
AND DO YOU KNOW WHY? BECAUSE WE ARE ONE COMPANY WITH...



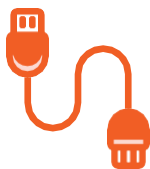
**Solutions plug & Play: to connect and use**



**Products insurance: 100% tested in factory**



**High durability It is functionality: products fulfill O what promise**



**Products ready for use: no need in installation electric**



**Products customized: team in engineering own**



**Reliability: components certified by INMETRO**



**Ergonomics: products integrate into the work environment**



**Integration with the environment: do not cause and are not susceptible to noise/electromagnetic, per have wrappers metallic grounded**



**Agile and effective service : budgets and questions about products readily attended**



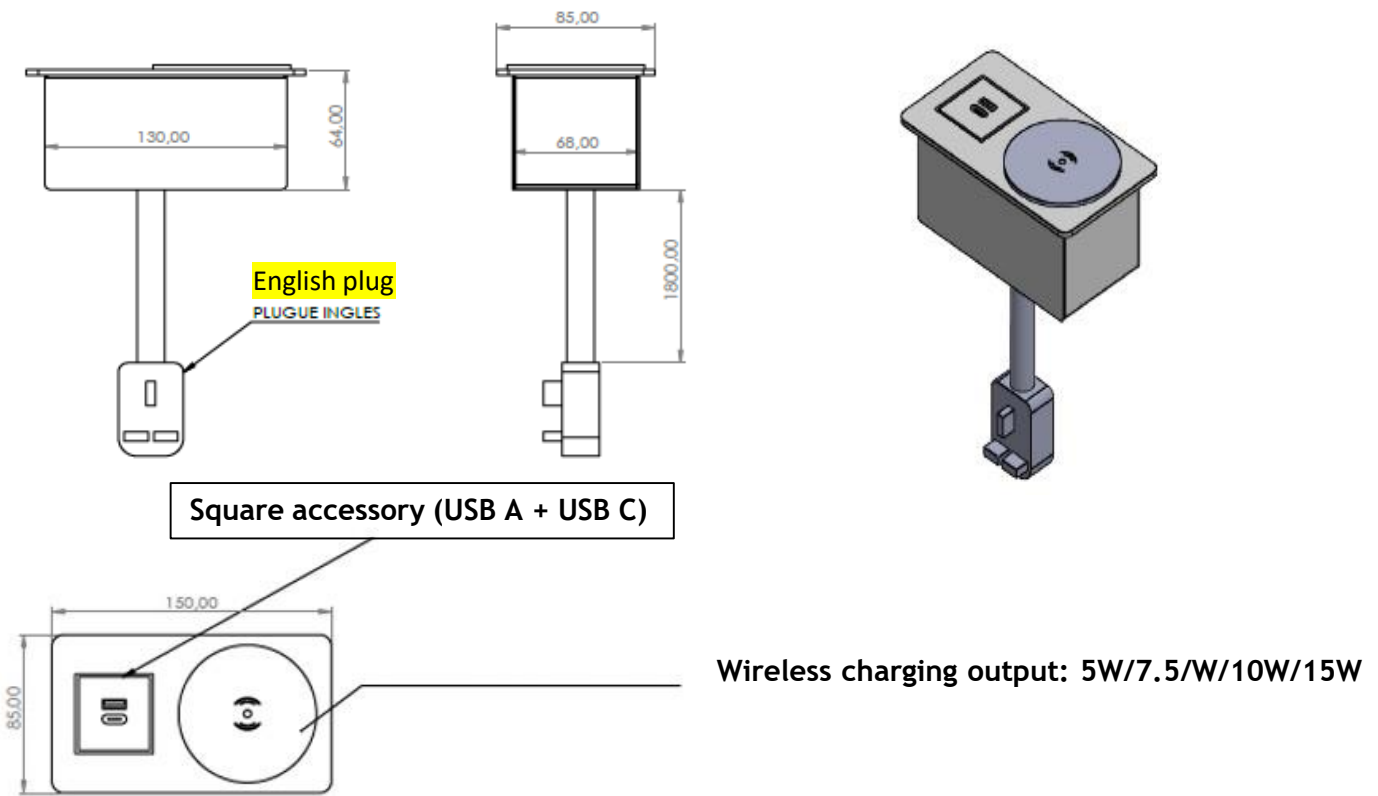
**Website always up to date: all product information and sheets in data available**



**Company 100% Brazilian**



# Connectivity taken seriously



- Structure metallic with painting epoxy in black,white or any other accordingly your needs.
- Equipped with Square accessory (USB A + USB C)
- Equipped with Plate Black accessory (charger contact inductive qi).
- Armored electrical set: user does not have access to wiring.
- Plug cable with English electrical standard output.
- 100-240V 50-60Hz the company \_ manual in installation.
- Structure metallic with painting epoxy in black,white or any other accordingly your needs.
- Equipped with Square accessory (USB A + USB C)
- Equipped with Plate Black accessory (charger contact inductive qi).
- Armored electrical set: user does not have access to wiring.
- Plug cable with English electrical standard output.
- 100-240V 50-60Hz the company \_ manual in installation.