



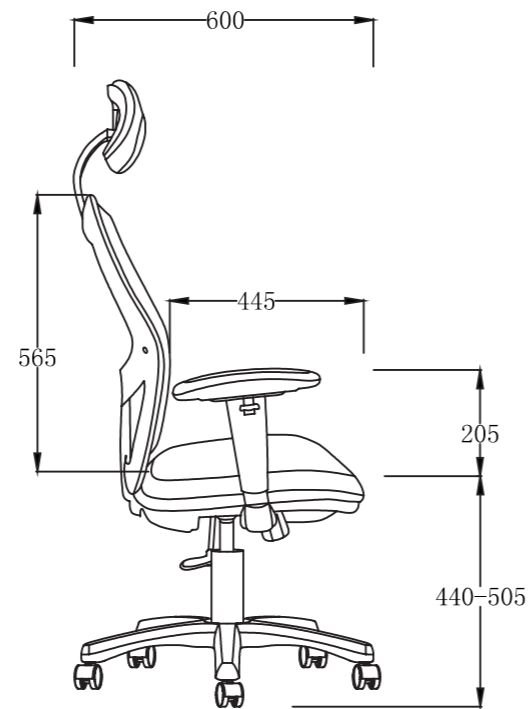
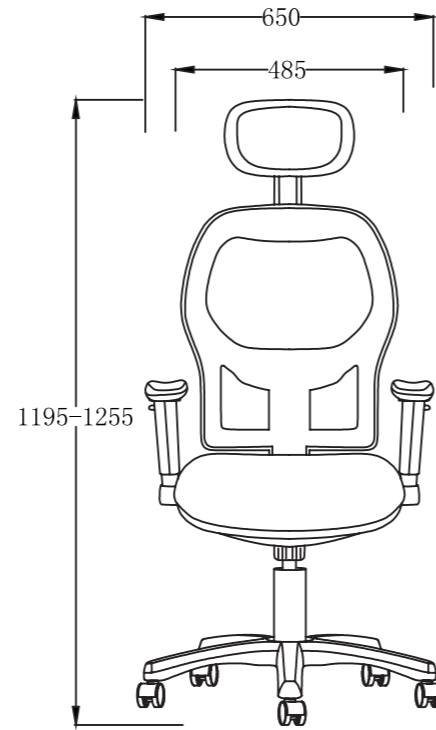
Born For seating

Born For Seating

Ergonomic office chair



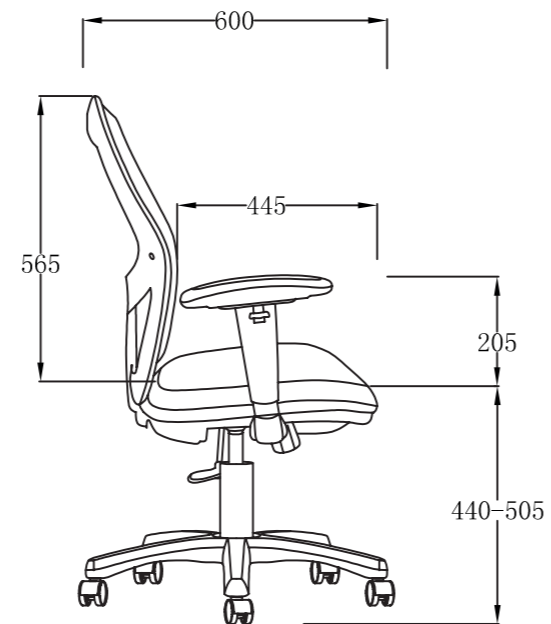
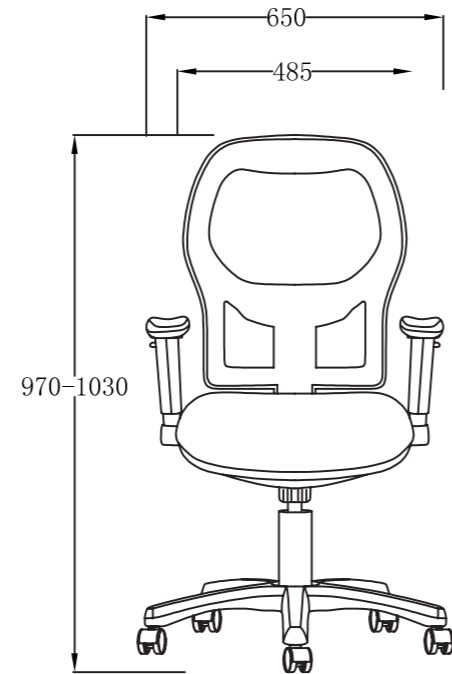
CH-096A



Remark

- 1:High back office chair with nylon glass fiber frame
- 2: Up and down adjustable headrest
- 3: 2D armrest(left and right,up and down)
- 4:40 high density foam
- 5:One position lock mechanism
- 6:Adjustable Cushion lumbar support
- 7: ϕ 320Aluminium base
- 8:120#3 chrome gaslift
- 9: ϕ 50mm black nylon casters

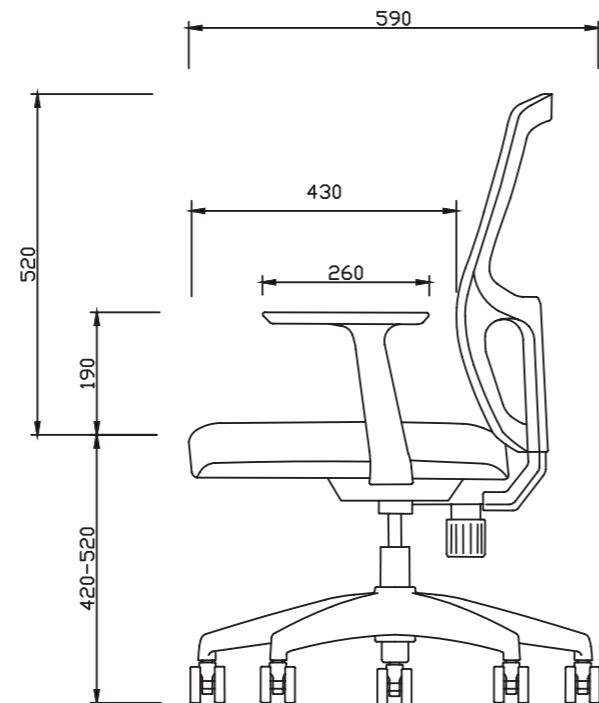
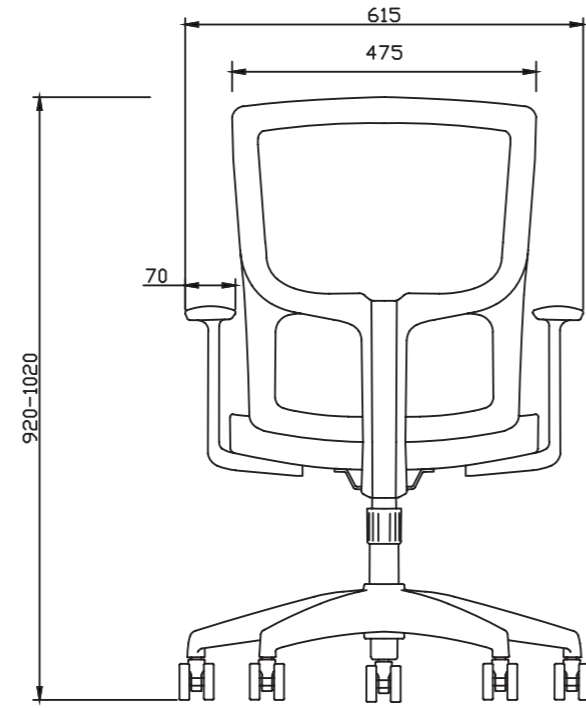
CH-096B



Remark

- 1:Medium back office chair with nylon glass fiber frame
- 2: 2D armrest(left and right,up and down)
- 3:40 high density foam
- 4:One position lock mechanism
- 5:Adjustable Cushion lumbar support
- 6: \varnothing 320Aluminium base
- 7:120#3 chrome gaslift
- 8: \varnothing 50mm black nylon casters

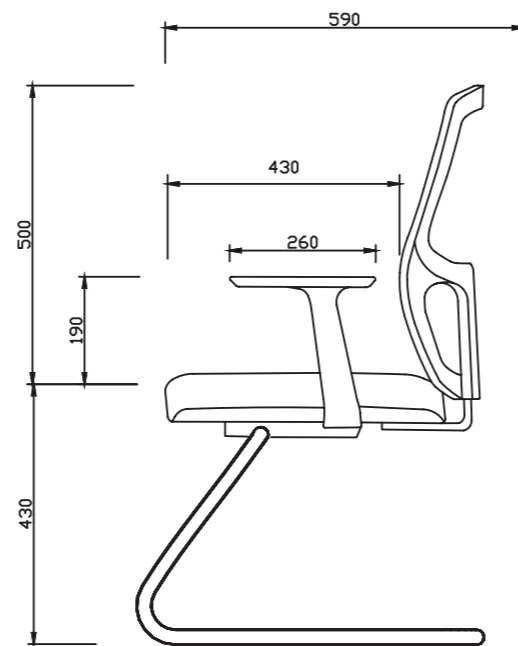
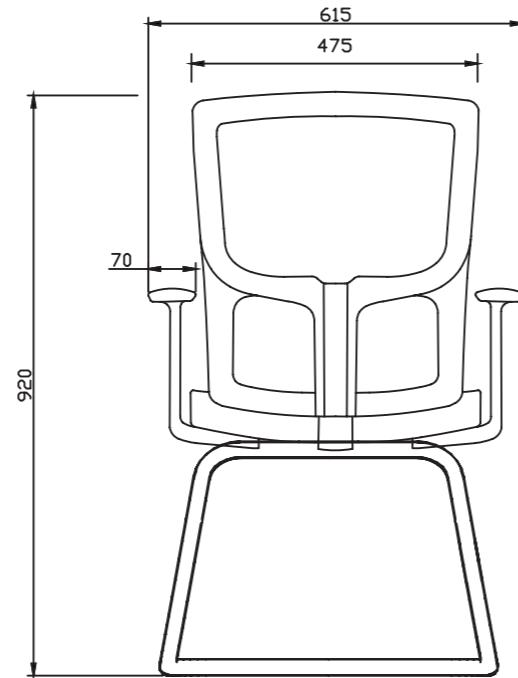
CH-183B



Remark

- 1:Black PP frame
- 2:40 high density foam
- 3:Simple function mechanism
- 4:T shape fixed PP armrest
- 5: #100mm black gaslift
- 6:#320 nylon base
- 7:50mm black casters

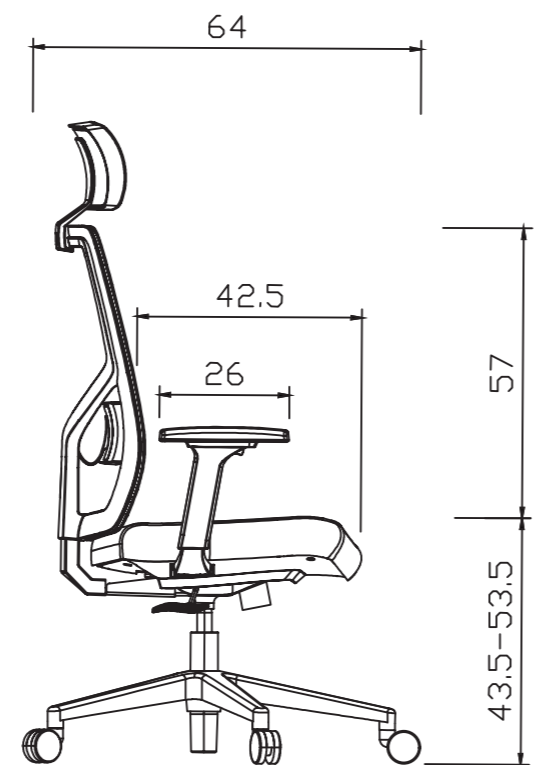
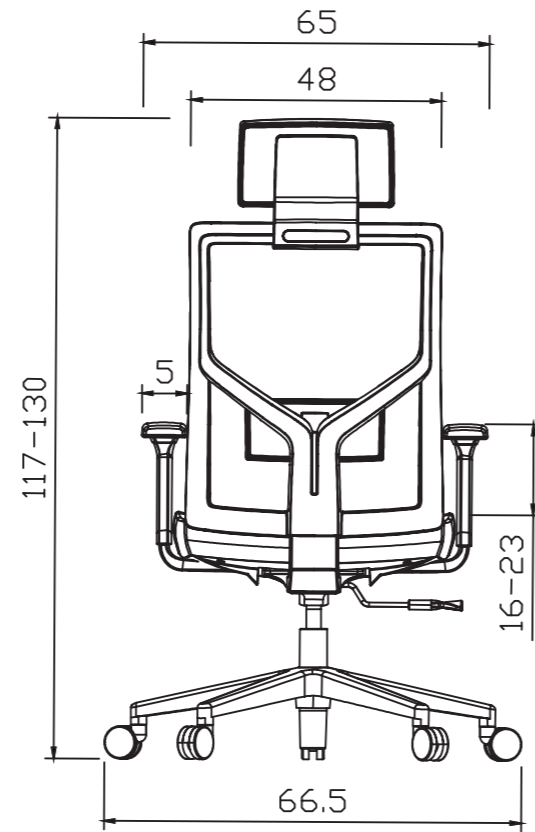
CH-183C



Remark

- 1:Black PP back frame
- 2:40 high density foam
- 3:PP fixed armrest
- 4:25 tube 1.8mm black painted bow frame

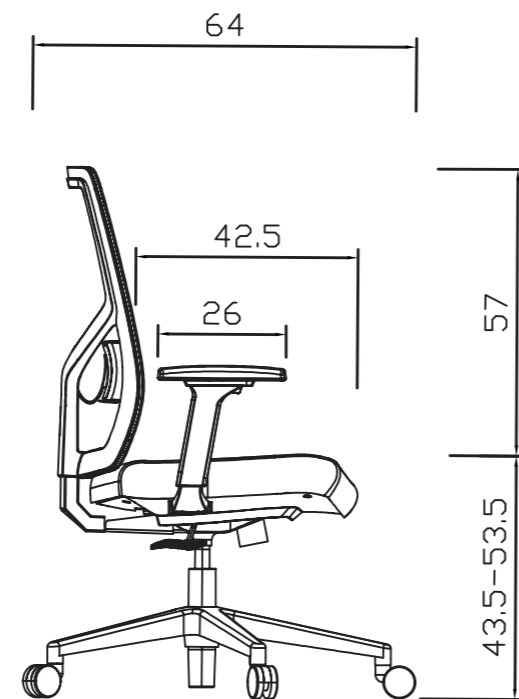
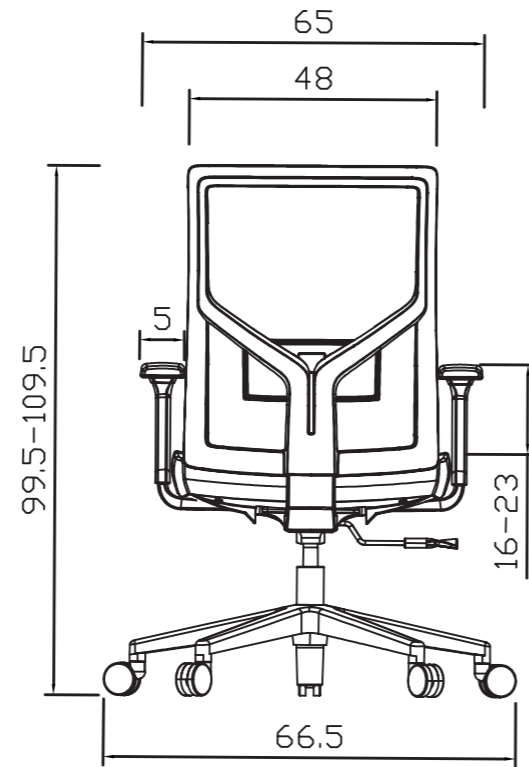
CH-226A



Remark

- 1:White glass fiber frame with fixed headrest
- 2:Adjustable lumbar support
- 3:Adjustable armrest
- 4:Moulded foam
- 5:3 position lock mechanism
- 6:100#4 black gaslift
- 7:Chrome base
- 8:Nylon casters

CH-226B

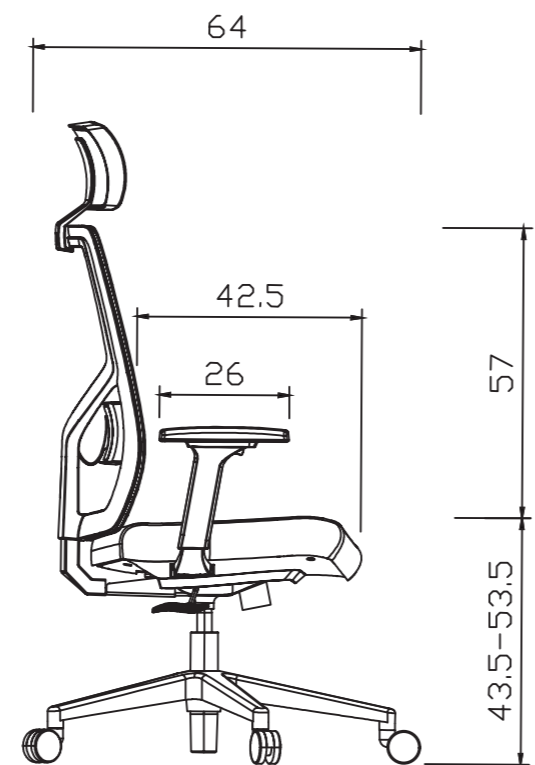
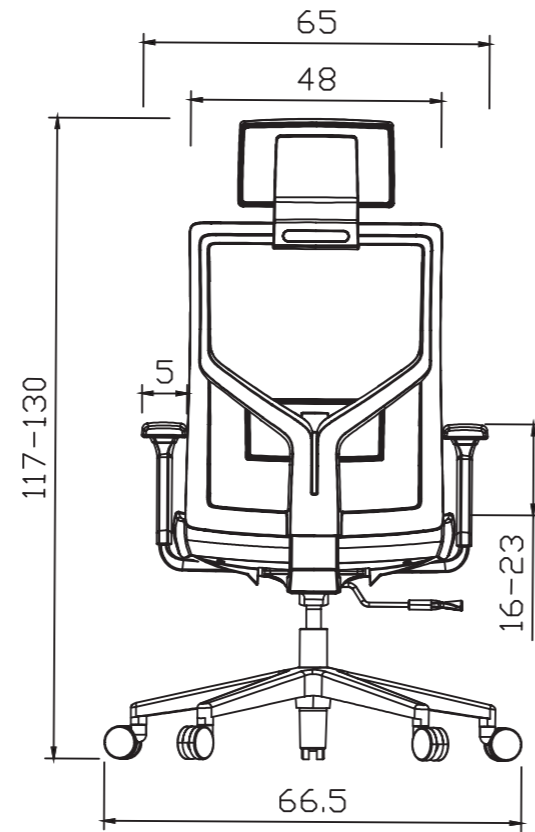


Remark

- 1:White glass fiber frame
- 2:Adjustable lumbar support
- 3:Adjustable armrest
- 4:Moulded foam
- 5:3 position lock mechanism
- 6:100#4 black gaslift
- 7: Aluminium base
- 8:Nylon casters



CH-226A White

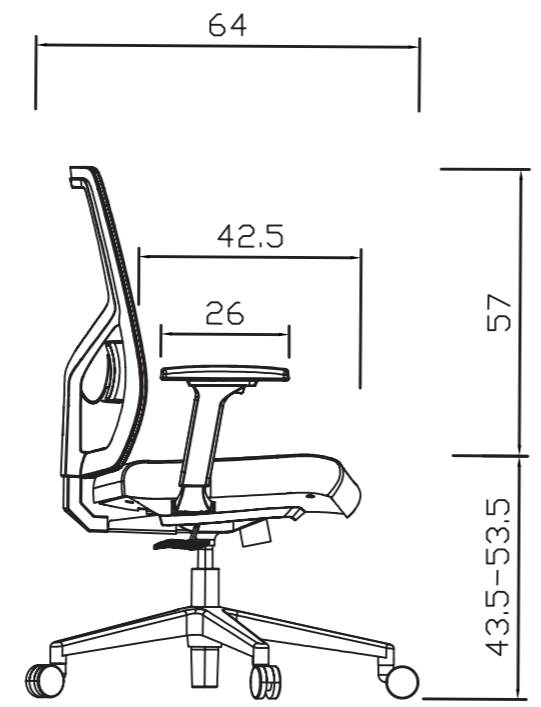
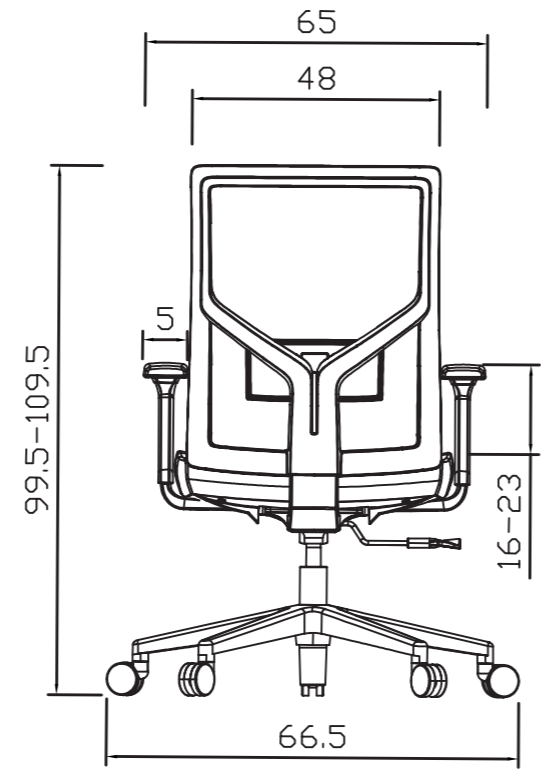


Remark

- 1:White glass fiber frame with fixed headrest
- 2:Adjustable lumbar support
- 3:Adjustable armrest
- 4:Moulded foam
- 5:3 position lock mechanism
- 6:100#4 black gaslift
- 7:Aluminum base
- 8:Nylon casters



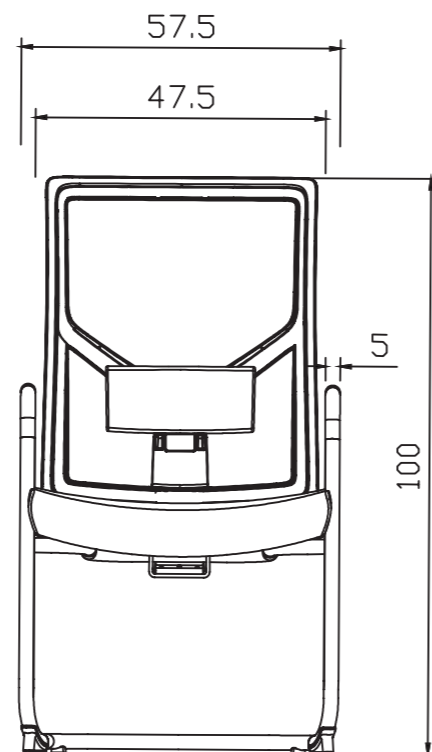
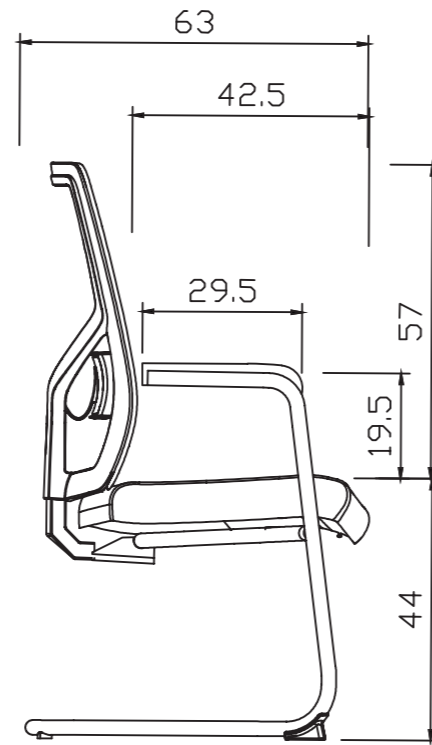
CH-226B White



Remark

- 1:White glass fiber frame
- 2:Adjustable lumbar support
- 3:Adjustable armrest
- 4:Moulded foam
- 5:3 position lock mechanism
- 6:100#4 black gaslift
- 7: Aluminium base
- 8:Nylon casters

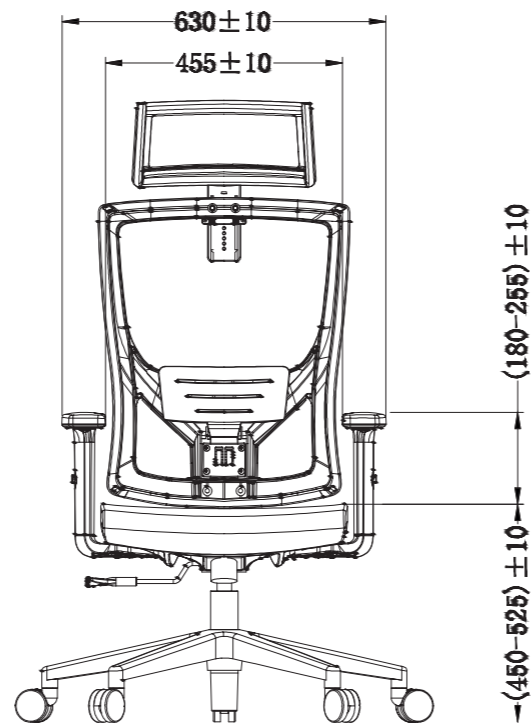
CH-226C White



Remark

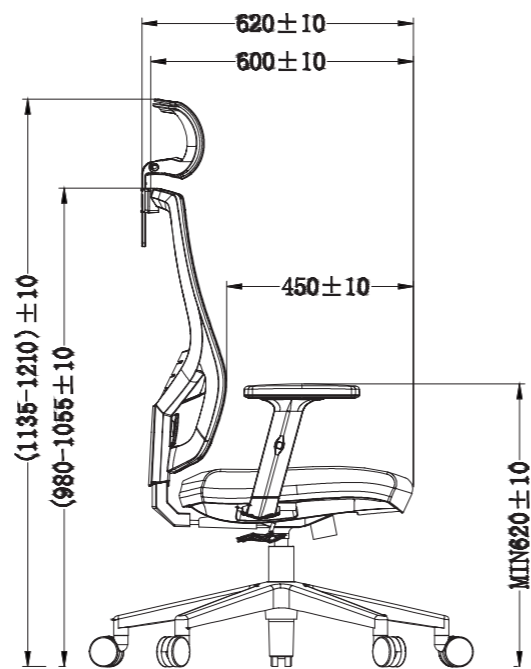
- 1: White glass fiber fram with black PP fixed armrest
- 2: Moulded foam

CH-229A

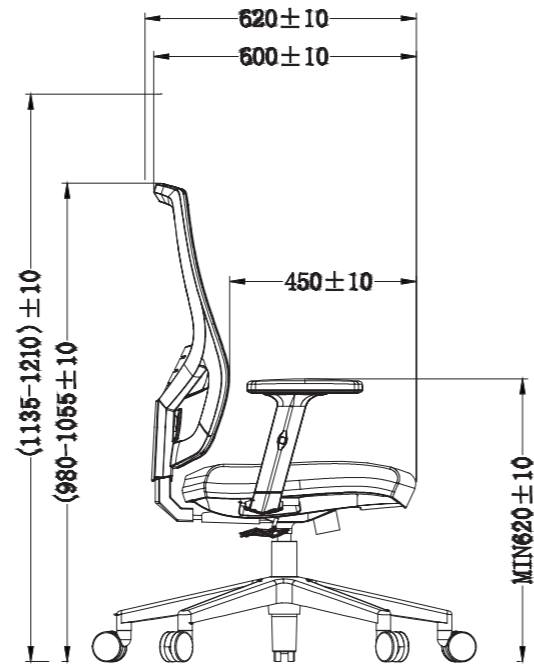


Remark

- 1:High back office chair
- 2: Up and down adjustable headrest
- 3: Up and down adjustable armrest
- 4:40 high density foam
- 5:One position lock mechanism
- 6:Adjustable Lumbar support
- 7:100#4 black gaslif
- 8:Chrome base 340
- 9:φ60mm PU black casters

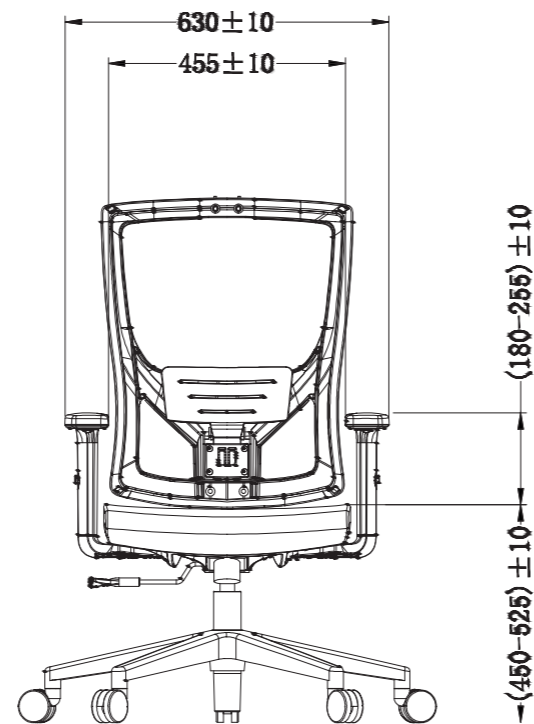


CH-229B

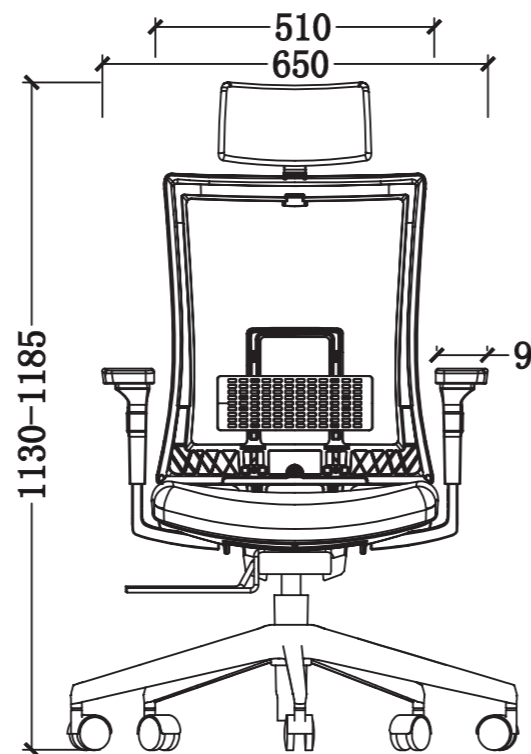
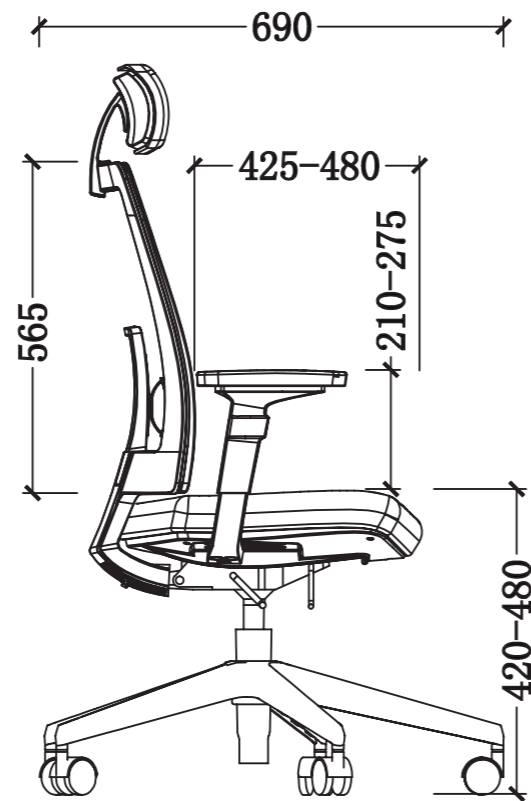


Remark

- 1:Medium back office chair with nylon glass fiber frame
- 2: Up and down adjustable armrest
- 3:40 high density foam
- 4:One position lock mechanism
- 5:Adjustable lumbar support
- 6:100#4 black gaslift
- 7:Chrome base 340
- 8:φ60mm PU black casters



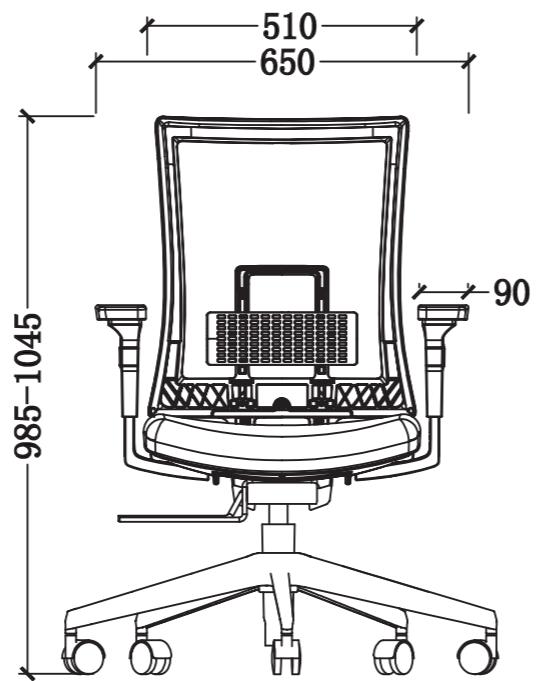
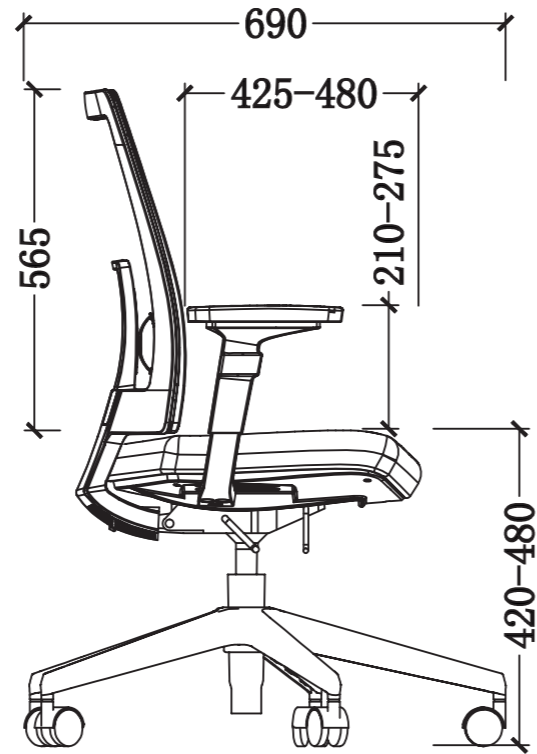
CH-247A



Remark

- 1.Nylon glass fiber frame
- 2.Up and down adjustable PU headrest
- 3.Adjustable lumbar support
- 4.PU top 3D armrest
- 5.Moulded foam
- 6.Three position lock mechanism with sliding seat
- 7:100#4 black gaslift
- 8.Chrome base #340
- 9.φ60mm PU black casters

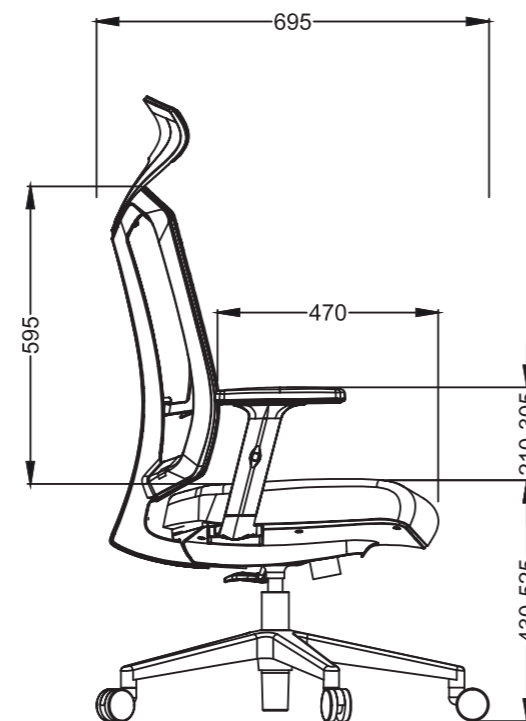
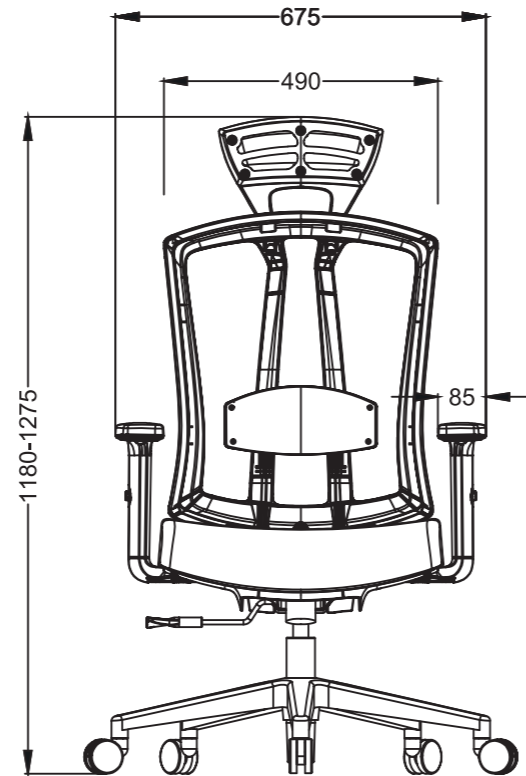
CH-247B



Remark

- 1.Nylon glass fiber frame
- 2.Adjustable lumbar support
- 3.PU top 3D armrest
- 4.Moulded foam
- 5.Three position lock mechanism with sliding seat
- 6:100#4 black gaslift
- 7.Chrome base #340
- 8.φ60mm PU black casters

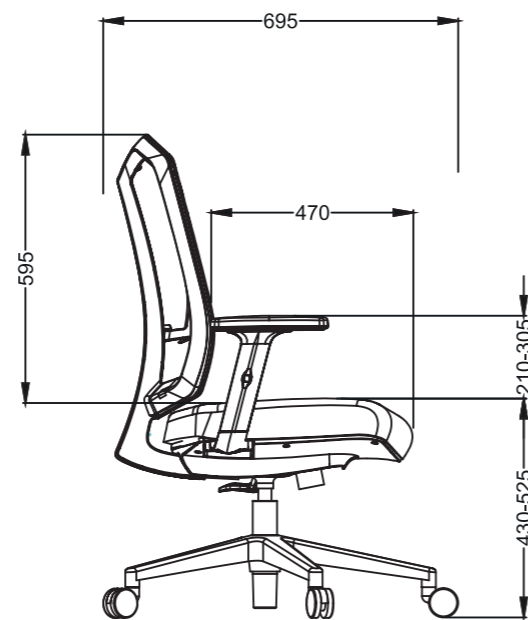
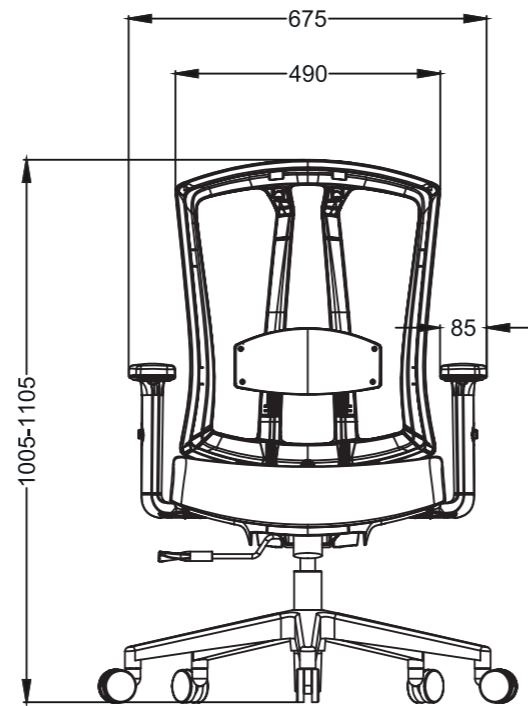
CH-267ALP Chrome Base



Remark

- 1:High back chair with fixed headrest.
- 2:Black nylon frame with glass fiber frame
- 3:Adjustable lumbar support
- 4:Mouled foam cushion, without seat cover
- 5:PU top with up and down adjustable armrest
- 6: **Three position lock mechanism**
- 7:100#4 black gaslift
- 8:**Chrome base #340**
- 9:φ60mm PU black casters

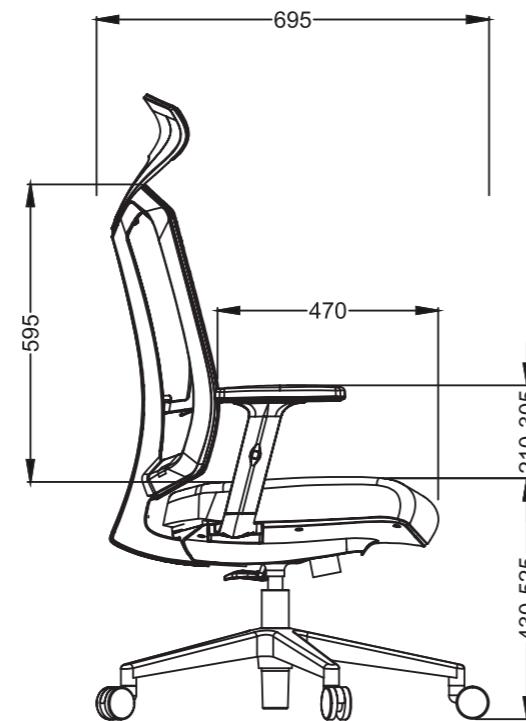
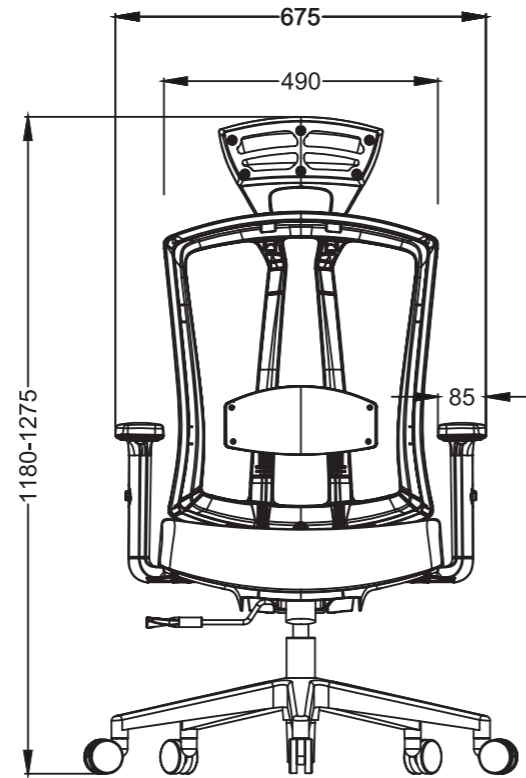
CH-267BLP Chrome Base



Remark

- 1:Black nylon frame with glass fiber frame
- 2:Adjustable lumbar support
- 3:Mouled foam cushion, without seat cover
- 4:PU top with up and down adjustable armrest
- 5: Three position lock mechanism
- 6:100#4 black gaslift
- 7:Chrome base #340
- 8: .φ60mm PU black casters

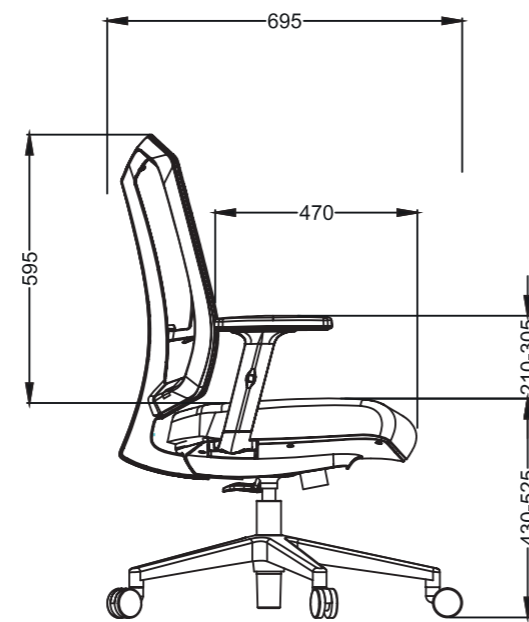
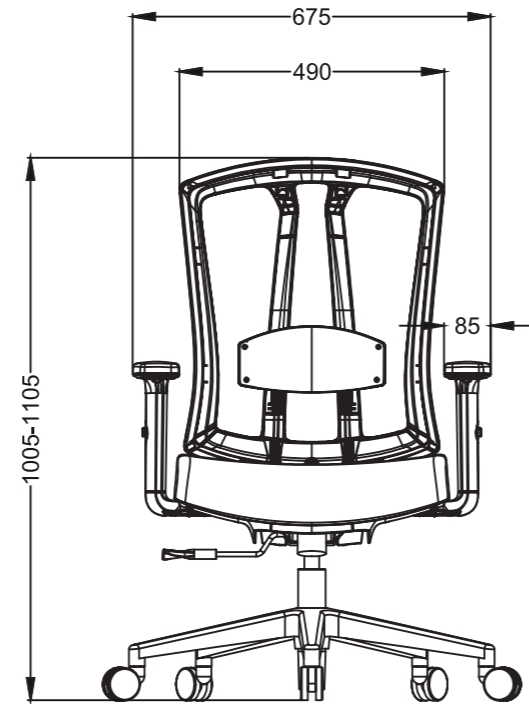
CH-267A-NL Nylon



Remark

- 1:High back chair with fixed headrest.
- 2:Black nylon frame with glass fiber frame
- 3:Adjustable lumbar support
- 4:Mouled foam cushion, without seat cover
- 5:PU top with up and down adjustable armrest
- 6: Simple position lock mechanism
- 7:100#4 black gaslift
- 8:Nylon base #340
- 9:φ60mm PU black casters

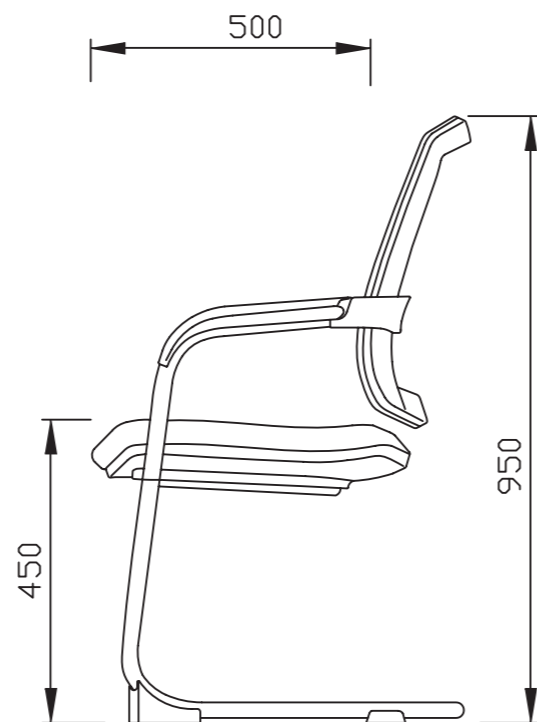
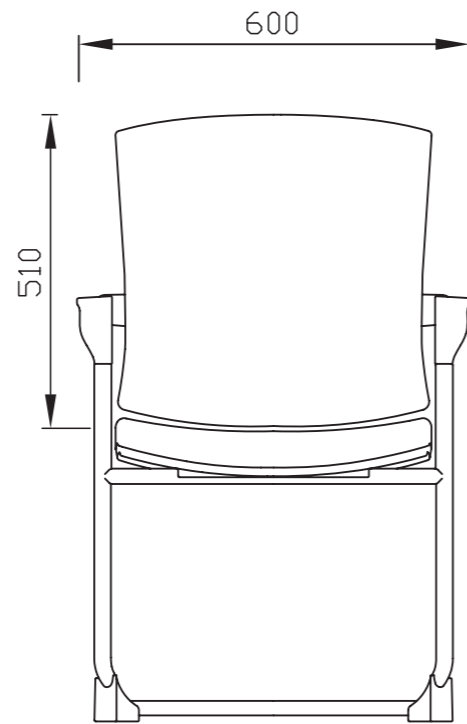
CH-267B-NL Nylon



Remark

- 1:Black nylon frame with glass fiber frame
- 2:Adjustable lumbar support
- 3:Mouled foam cushion, without seat cover
- 4:PU top with up and down adjustable armrest
- 5: Simple position lock mechanism
- 6:100#4 black gaslift
- 7:Nylon base #340
- 8: .φ60mm PU black casters

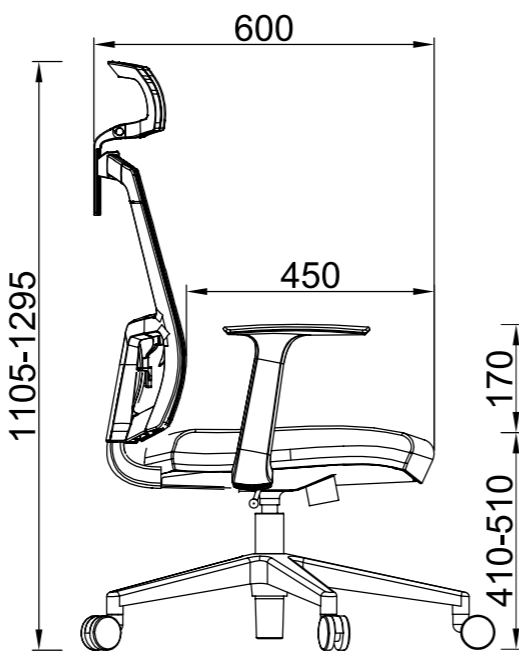
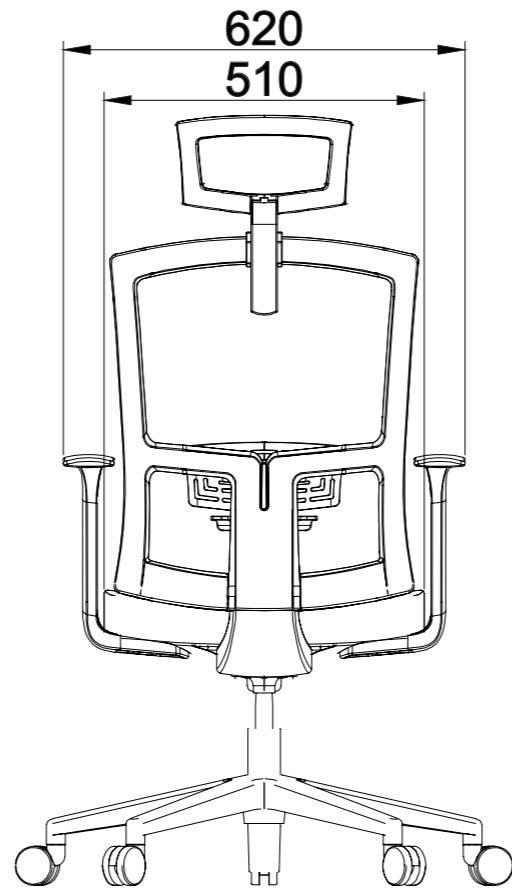
CH-163C



Remark

- 1:Black Visitor chair with nylon glass fiber frame
- 2:Leg and armrest connect with back, PP top armrest
- 3:#45 high density foam
- 4:Chrome leg with 1.8mm thickness

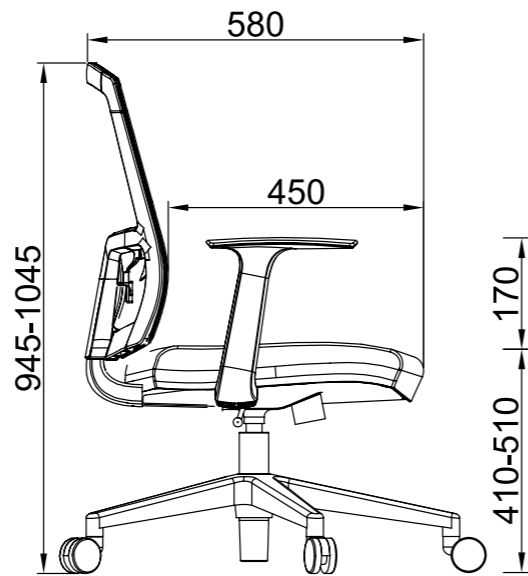
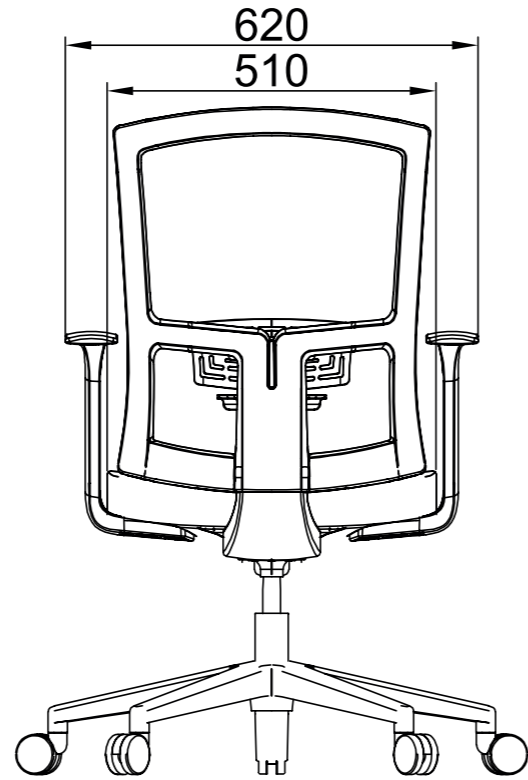
U-037A-HS Grey Frame



Remark

- 1.High quality mesh
- 2.Up and down adjustable headrest
- 3.Grey nylon glass fiber frame
- 4.Grey up and down adjustable armrest
- 5.moulded foam
- 6.Butterfly simple lock mechanism with white seat cover
- 7.100#4 black gaslift
- 8.340mm grey nylon base
- 9.φ55mm black nylon casters

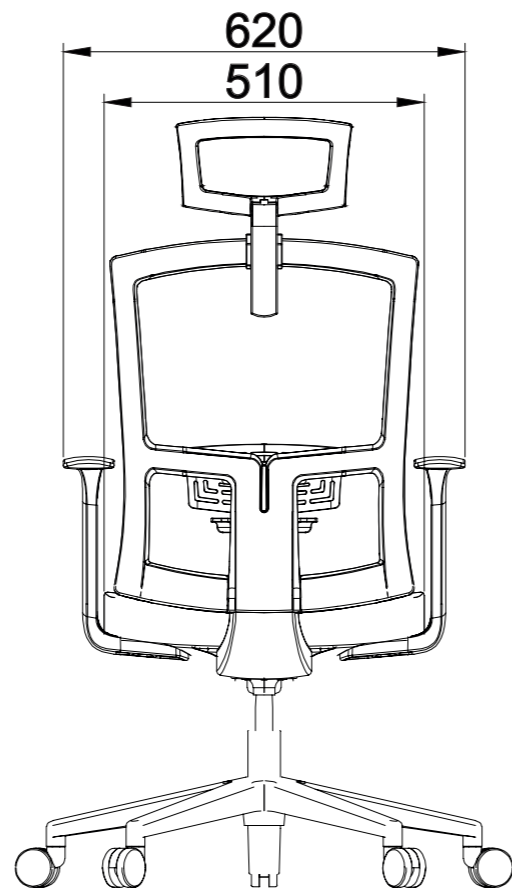
U-037B-HS Grey Frame



Remark

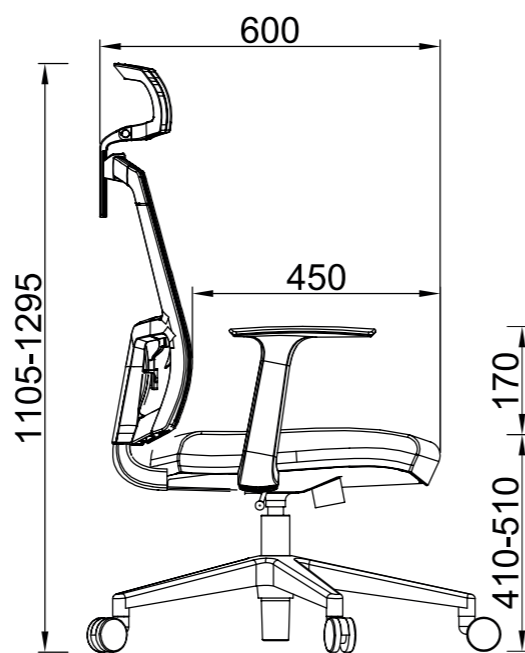
- 1.High quality mesh
- 2.Grey nylon glass fiber frame
- 3.Grey up and down adjustable armrest
- 4.moulded foam
- 5.Butterfly simple lock mechanism with white seat cover
- 6.100#4 black gaslift
- 7.340mm grey nylon base
- 8.φ55mm black nylon casters

U-037A Black Frame

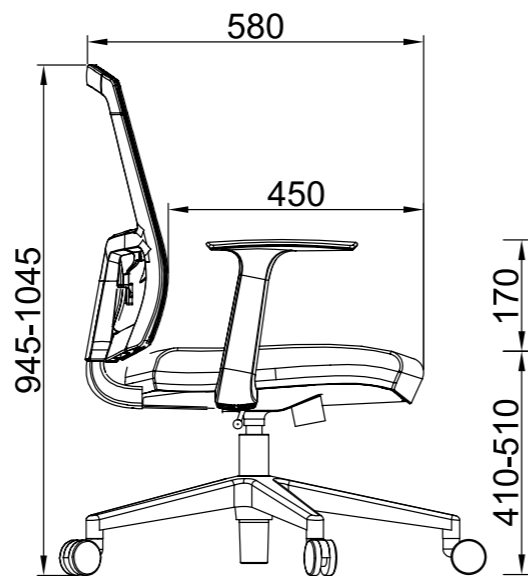
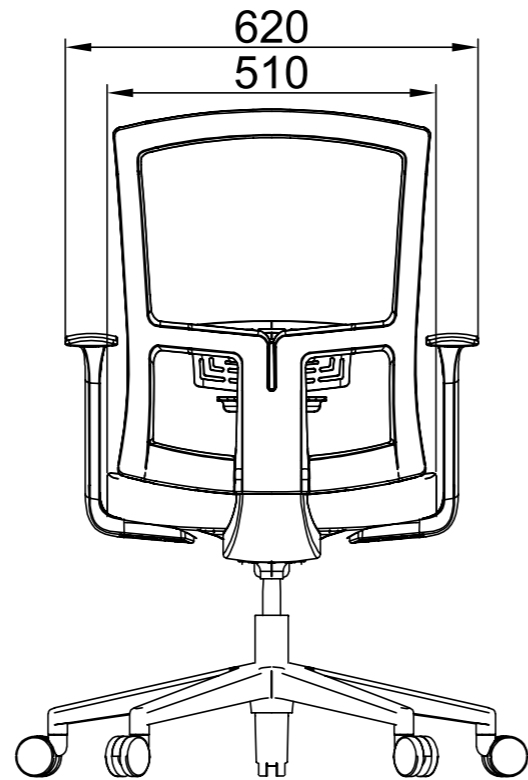


Remark

- 1.High quality mesh
- 2.Up and down adjustable headrest
- 3.Black nylon glass fiber frame
- 4.Black up and down adjustable armrest
- 5.moulded foam
- 6.Butterfly simple lock mechanism with black seat cover
- 7.100#4 black gaslift
- 8.340mm nylon base
- 9.φ55mm black nylon casters



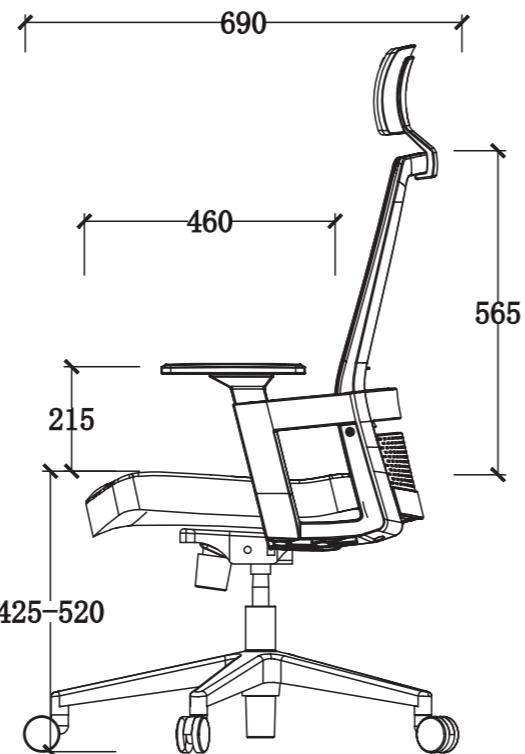
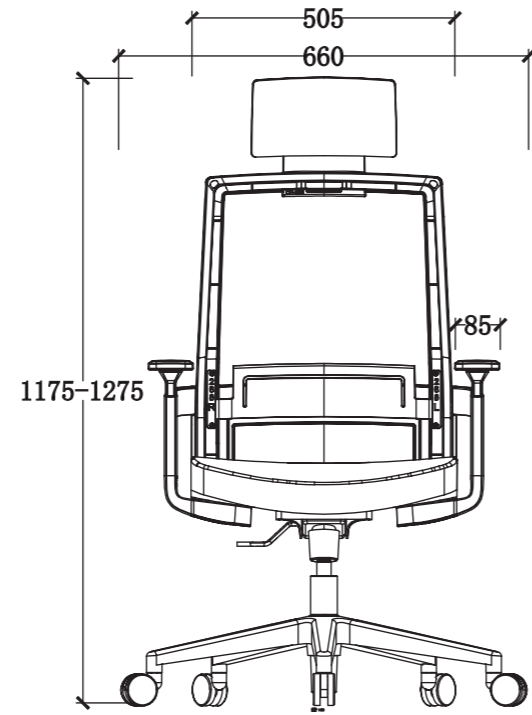
U-037B Black Frame



Remark

- 1.High quality mesh
- 2.Black nylon glass fiber frame
- 3.Black up and down adjustable armrest
- 4.moulded foam
- 5.Butterfly simple lock mechanism with black seat cover
- 6.100#4 black gaslift
- 7.340mm nylon base
- 8.φ55mm black nylon casters

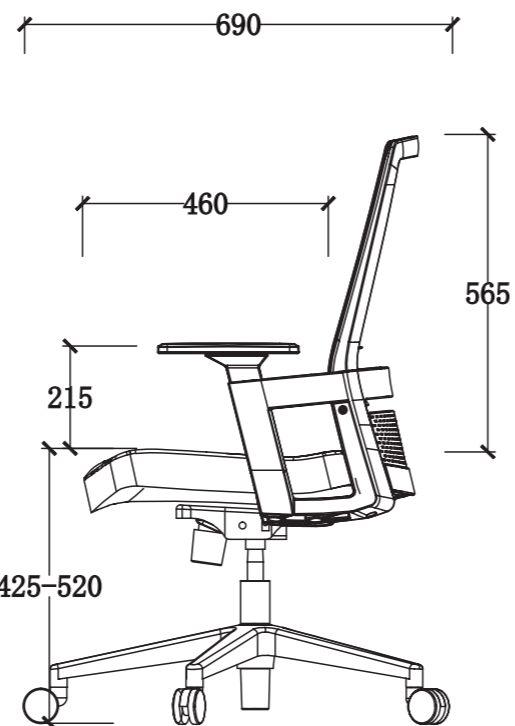
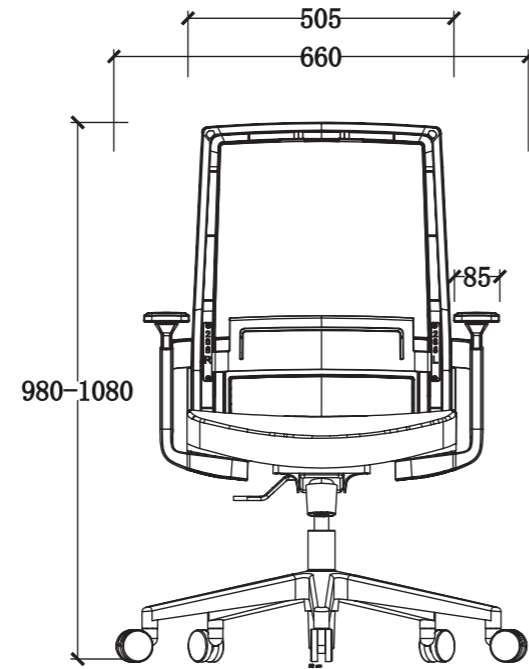
CH-268A



Remark

- 1:High back chair with up and down headrest.
- 2:Black nylon frame with glass fiber frame
- 3:Adjustable lumbar support
- 4:Mouled foam cushion, without seat cover
- 5:Fixed armrest
- 6: Simple position lock mechanism
- 7:100#4 black gaslift
- 8:Nylon base #340
- 9:φ60mm PU black casters

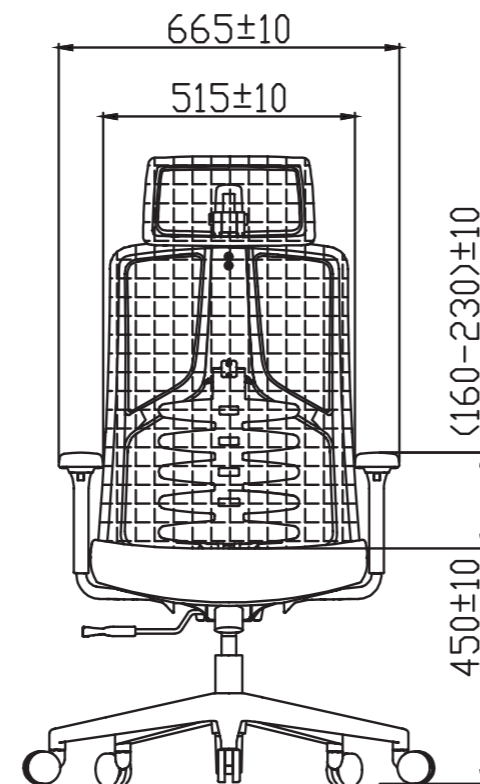
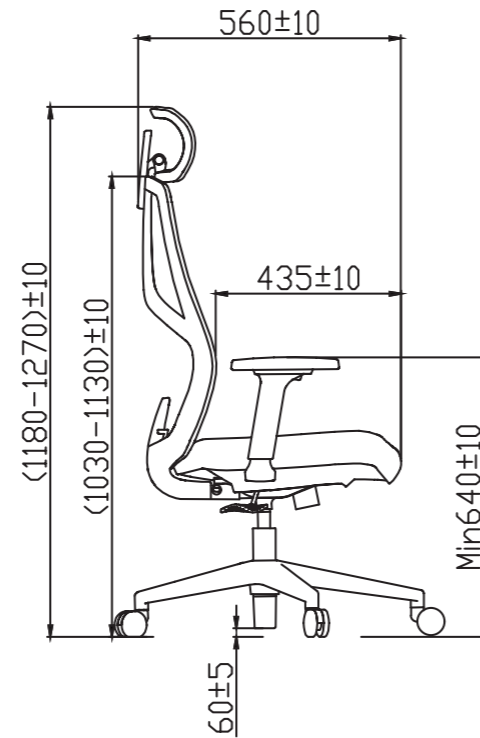
CH-268B



Remark

- 1:Black nylon frame with glass fiber frame
- 2:Adjustable lumbar support
- 3:Mouled foam cushion, without seat cover
- 4:Fixed armrest
- 5: Simple position lock mechanism
- 6:100#4 black gaslift
- 7:Nylon base #340
- 8:φ60mm PU black casters

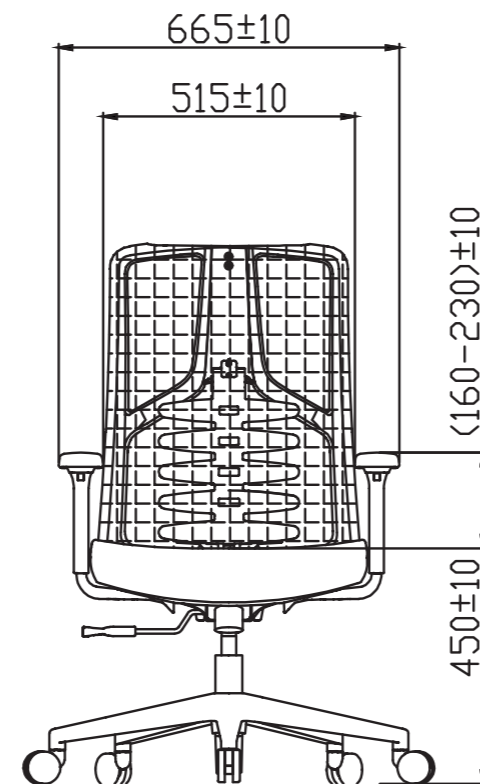
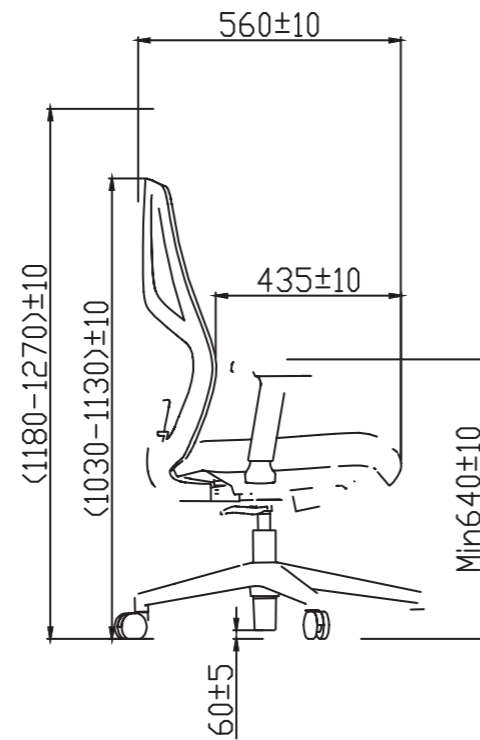
CH-359A



Remark

- 1:Black nylon glass fiber frame
- 2:Adjustable headrest with swivel function
- 3:Adjustable Lumbar Support
- Titling angle can be $126 \pm 1^\circ$
- 4:359 moulded foam
- 5:2D adjustable armrest
- 6:3 position lock mechanism
- 7:100#5 black gaslift
- 8:340 chrome base
- 9:60/25 nylon caster

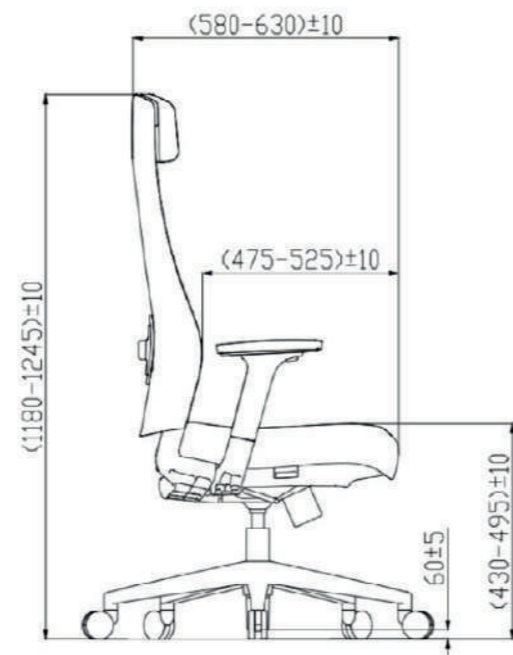
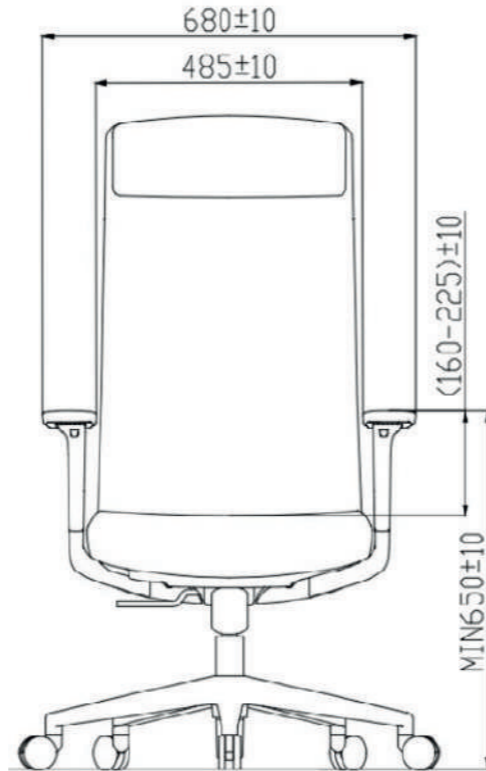
CH-359B



Remark

- 1:Black nylon glass fiber frame
- 2:Adjustable Lumbar Support
- Titling angle can be $126 \pm 1^\circ$
- 3:359 moulded foam
- 4:2D adjustable armrest
- 5:3 position lock mechanism
- 6:100#5 black gaslift
- 7:340 chrome base
- 8:60/25 nylon casters

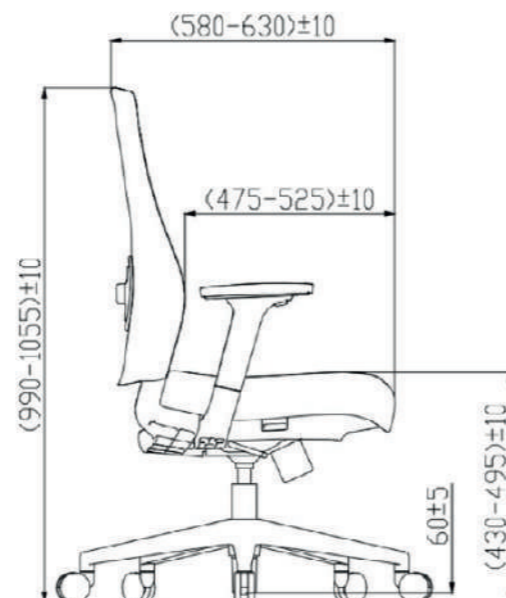
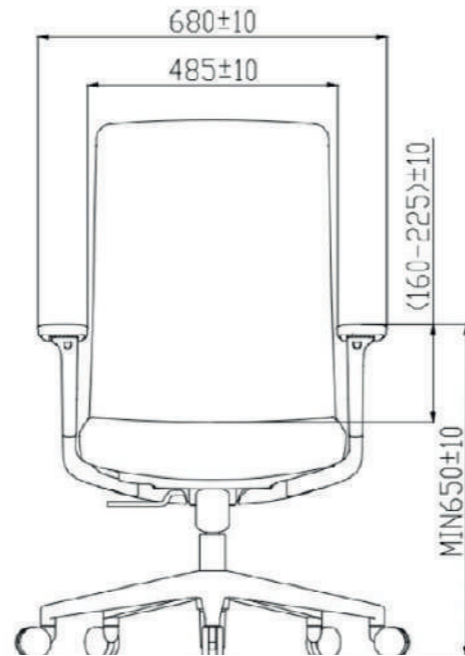
CH-366A Black PU



Remark

- 1:Black PU headrest
- 2:Black PU on frame and adjustable lumbar support
- 3:4D adjustable armrest
- 4:3 lock mechanism
- 5:100#4 black gaslift
- 6:Chrome base
- 7:Nylon casters

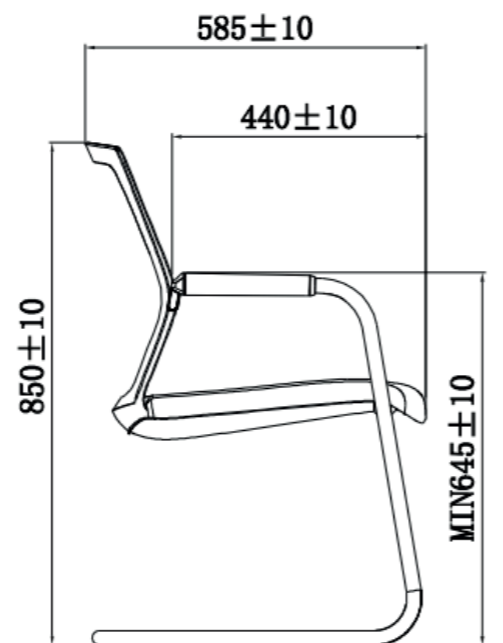
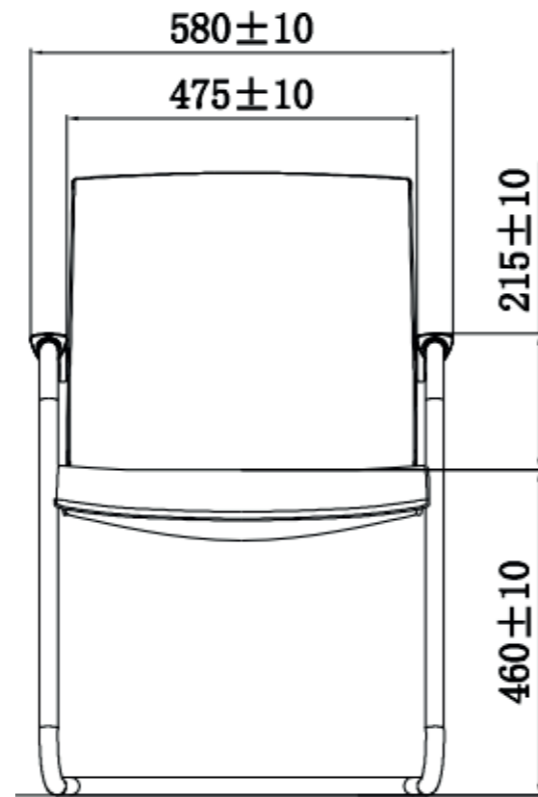
CH-366B Black PU



Remark

- 1:Black PU on frame and adjustable lumbar support
- 2:4D adjustable armrest
- 3:3 lock mechanism
- 4:100#4 black gaslift
- 5:Chrome base
- 6:Nylon casters

CH-319C Black PU

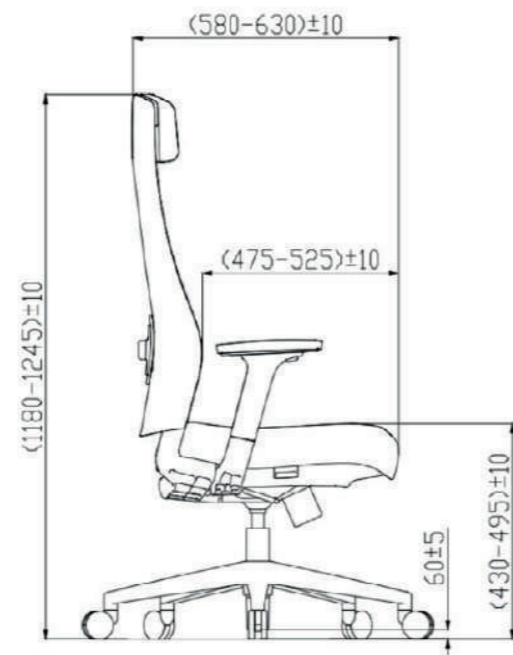
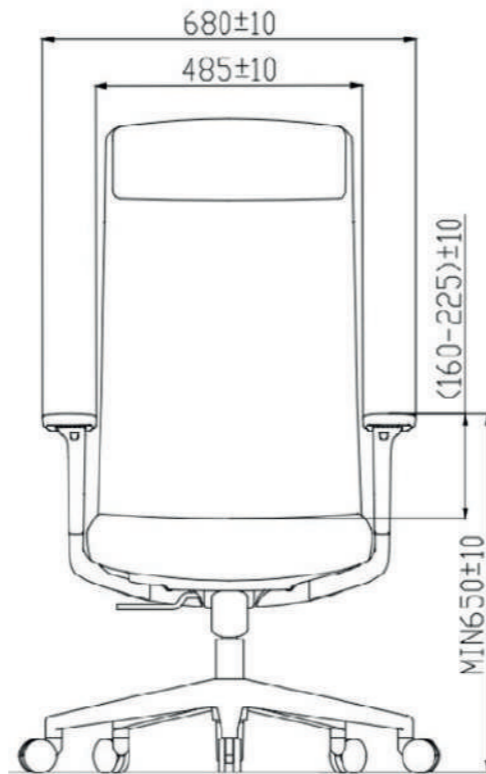


Remark

- 1: Black glass fiber frame
- 2: High density foam
- 3: Black connected fixed armrest
- 4: 25tube 1.8mm chrome bow leg



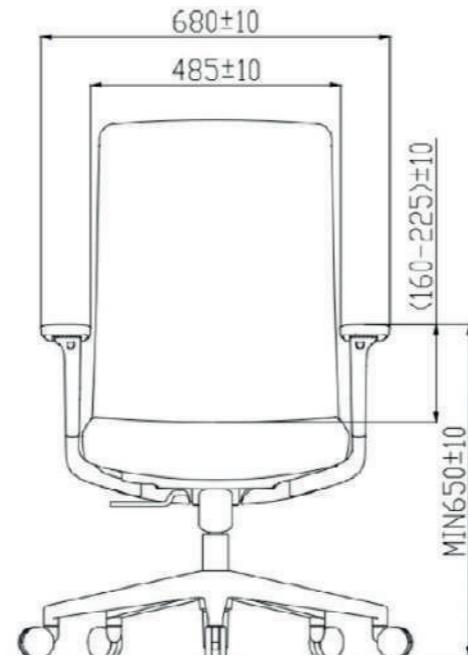
CH-366A Brown PU



Remark

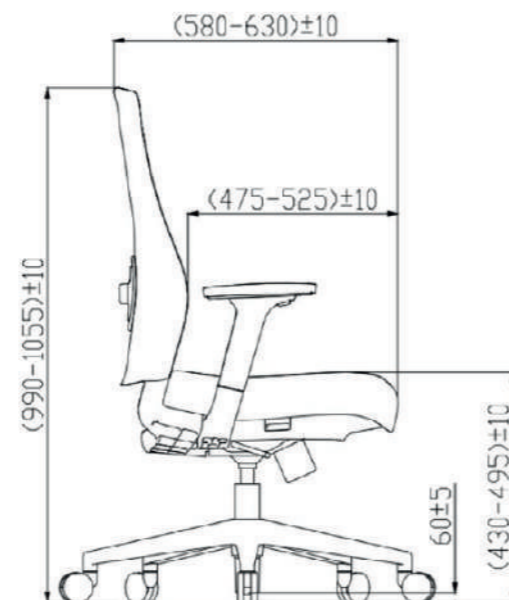
- 1:Brown PU headrest
- 2:Black PU on frame and adjustable lumbar support
- 3:4D adjustable armrest
- 4:3 lock mechanism
- 5:100#4 black gaslift
- 6:Chrome base
- 7:Nylon casters

CH-366B Brown PU

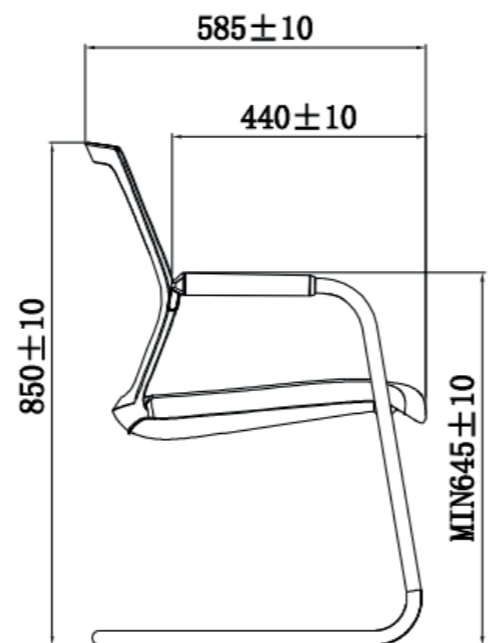
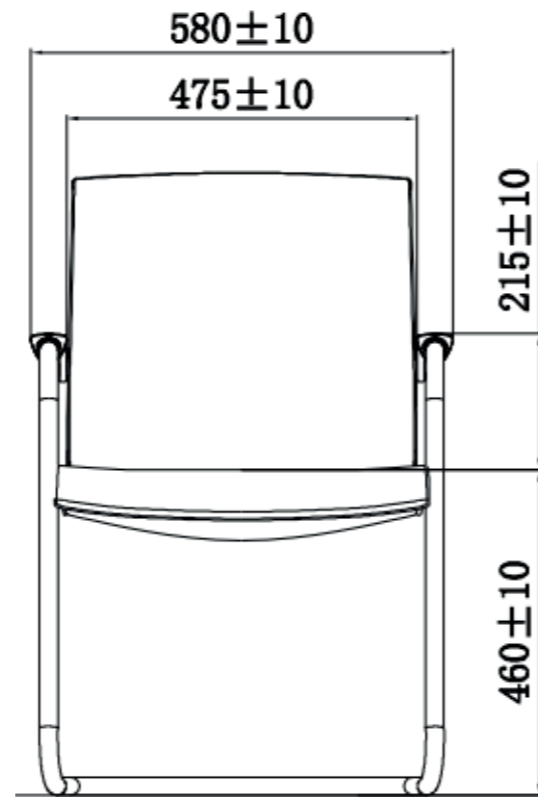


Remark

- 1:Brown PU on frame and adjustable lumbar support
- 2:4D adjustable armrest
- 3:3 lock mechanism
- 4:100#4 black gaslift
- 5:Chrome base
- 6:Nylon casters



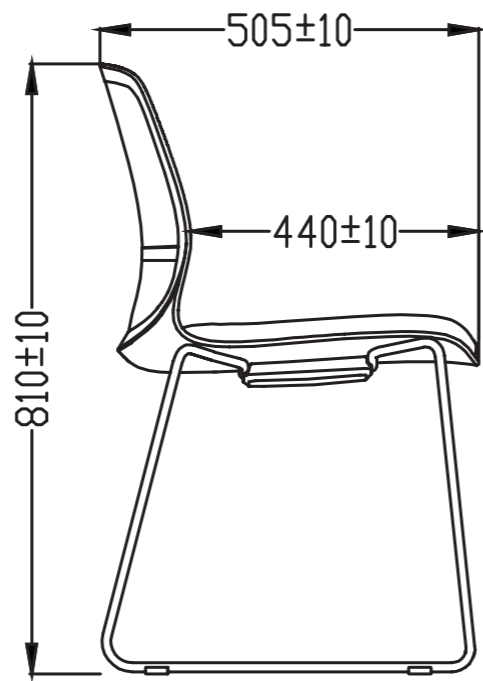
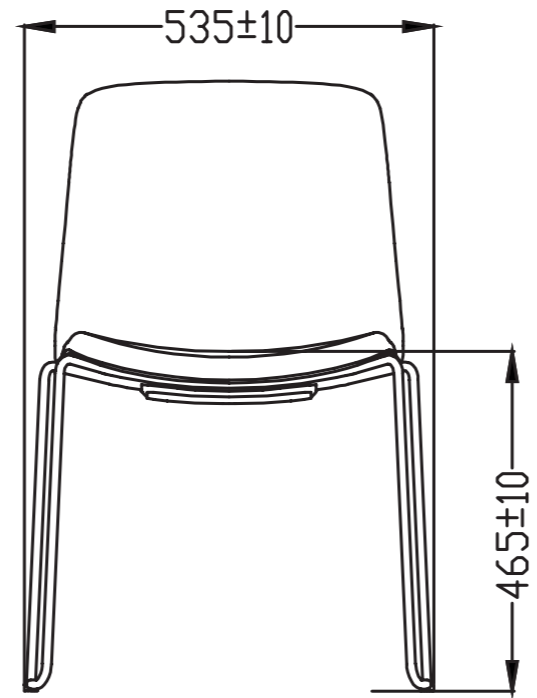
CH-319C Brown PU



Remark

- 1: Black glass fiber frame
- 2: High density foam
- 3: Black connected fixed armrest
- 4: 25tube 1.8mm chrome bow leg

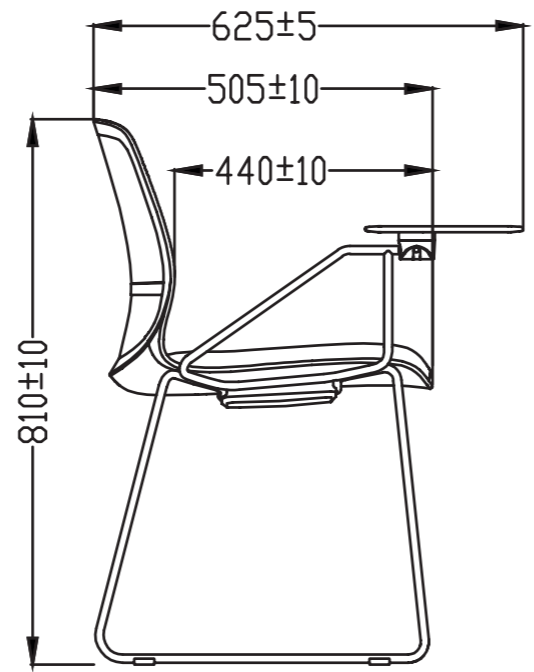
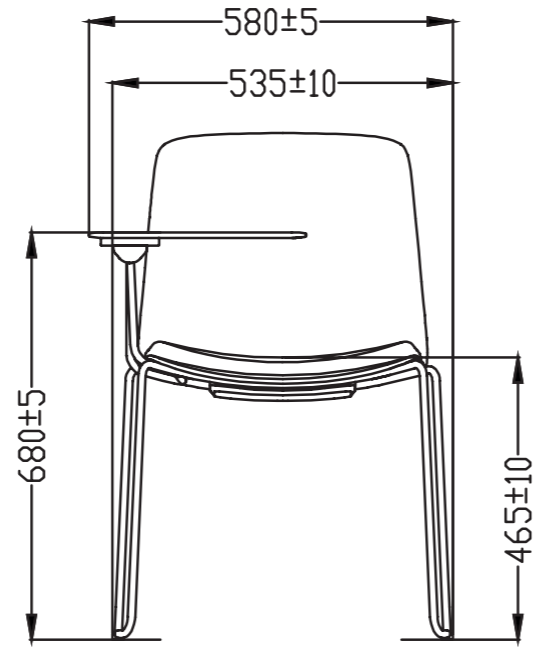
EMS-001C



Remark

- 1: White Frame chair
- 2: Grey Fabric
- 3: White Painted leg

EMS-004C

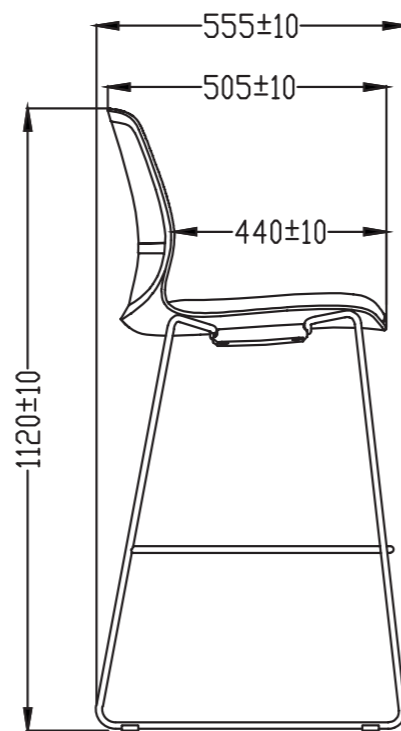
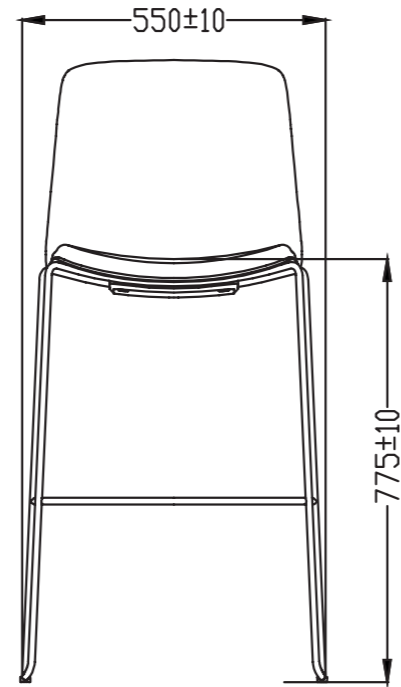


Remark

- 1:White Frame chair
- 2:Grey Fabric
- 3:White Painted leg
- 4:PA nylon writing pad



EMS-005C

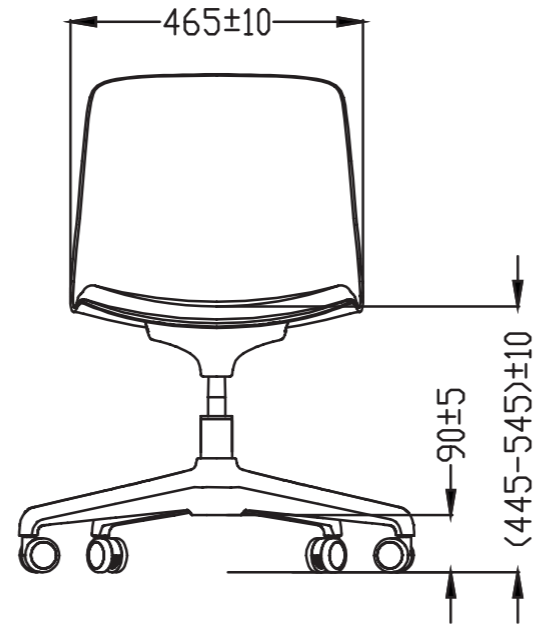


Remark

- 1:White Frame chair
- 2:Grey Fabric
- 3:White Painted leg

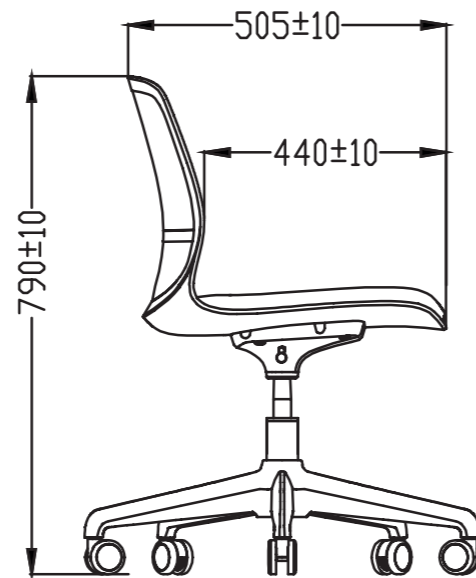


EMS-006C

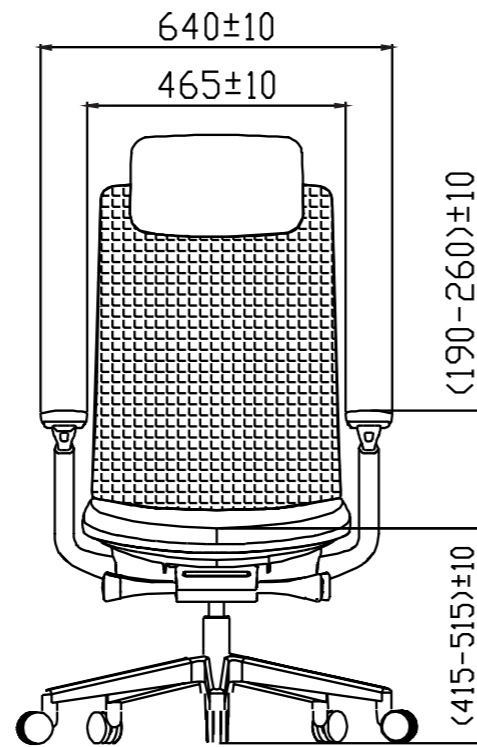


Remark

- 1: White Frame chair
- 2: Grey Fabric
- 3: 100# white gaslift with white nylon base

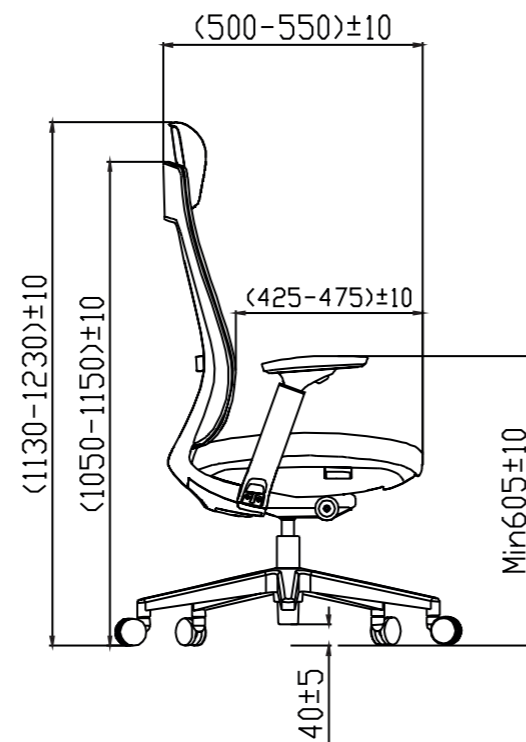


EVL-002A

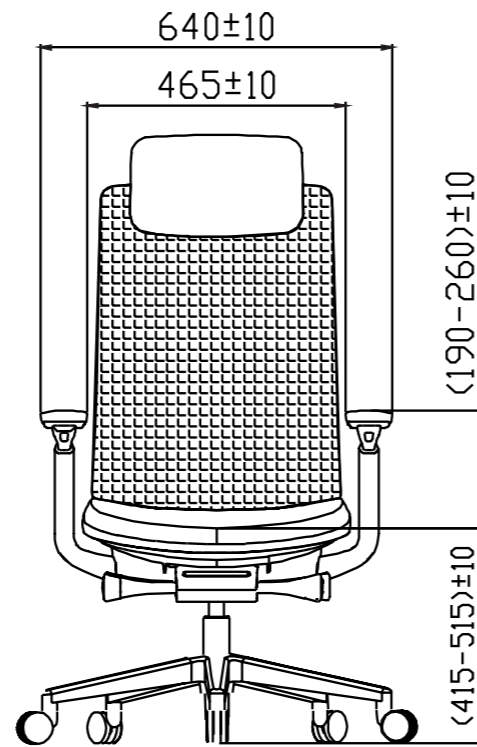


Remark

- 1.Black frame office chair with Nylon glass fiber frame
- 2.Moulded foam Up and down adjustable fabric headrest
- 3.Adjustable lumbar support,
- 4.PU top 3D adjustable armrest.
- 5.Four positions lock mechanism with sliding seat
- 6: Black gaslift
- 7.Chrome base #340
- 8.φ60mm PU black casters

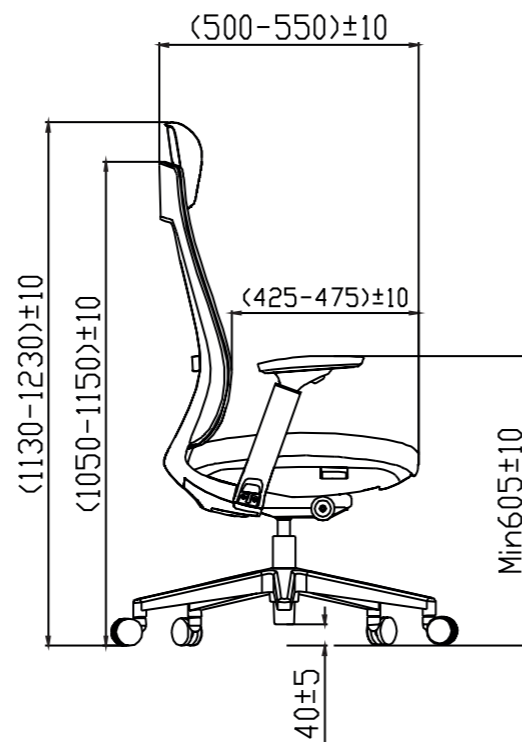


EVL-002B

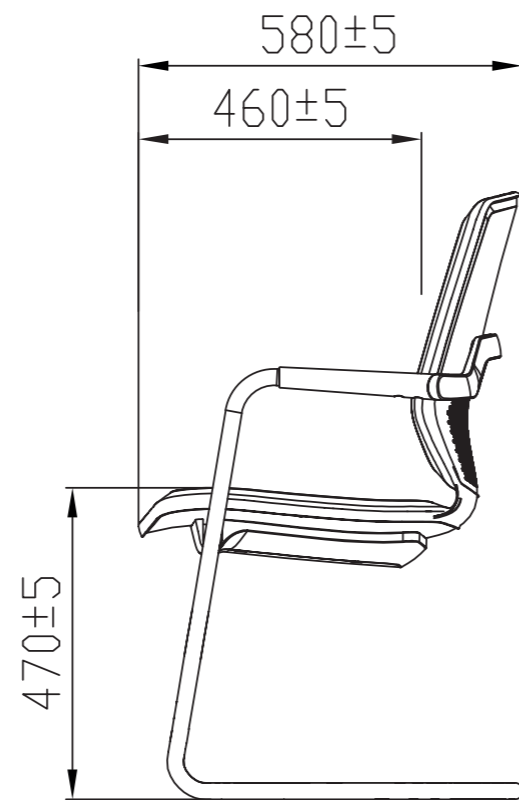
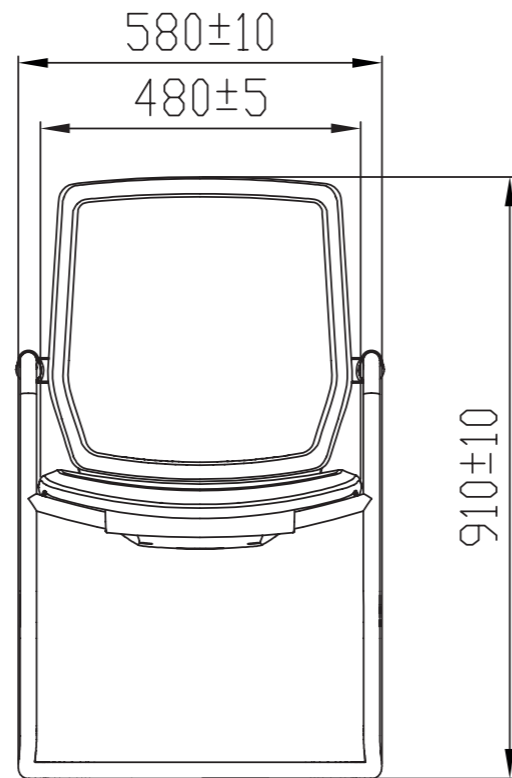


Remark

- 1.Black frame office chair with Nylon glass fiber frame
- 2.Adjust lumbar support,
- 3.PU top 3D adjustable armrest.
- 4.Four positions lock mechanism with sliding seat
- 5: Black gaslift
- 6.Chrome base #340
- 7.φ60mm PU black casters



EIT-001C Black

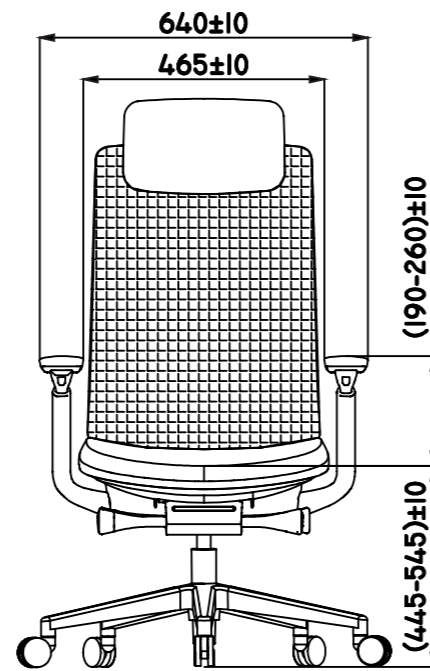


Remark

- 1:Black Visitor chair
- 2:Fabric on both back and seat
- 3:Moulded foam
- 4:Sliding seat

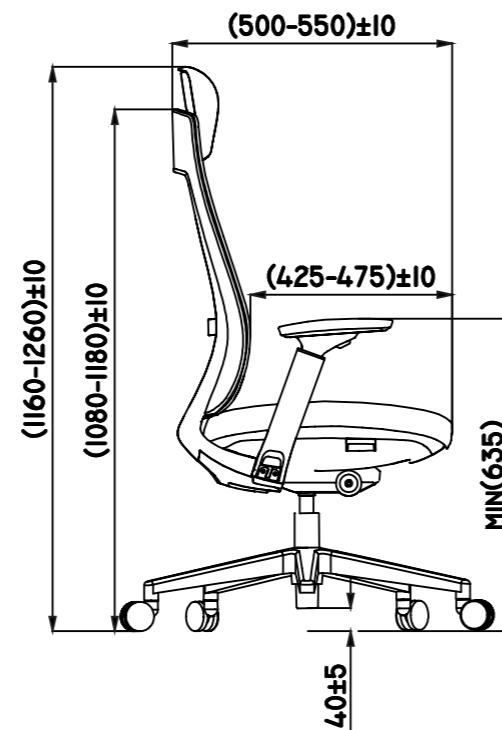


EVL-004A

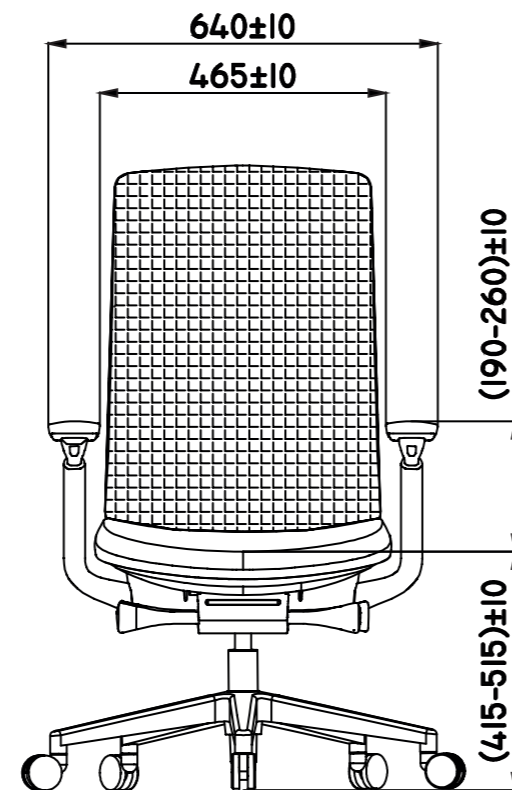
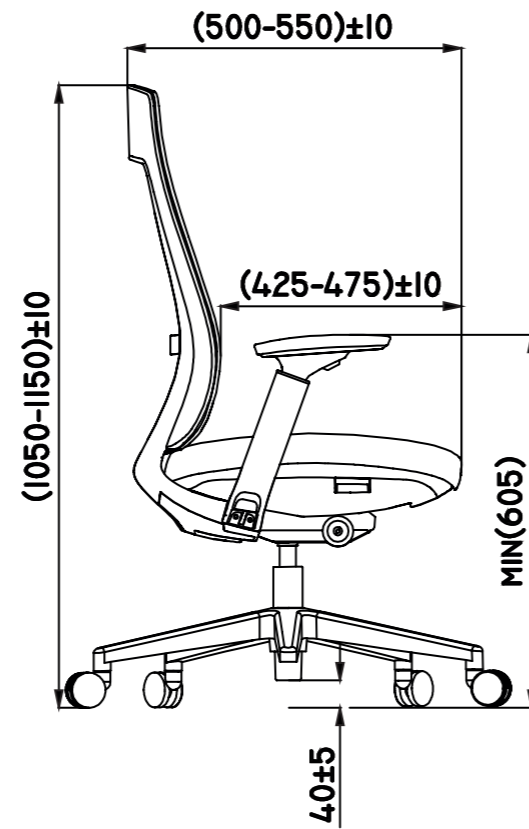


Remark

- 1:White Frame Office chair
- 2:3D adjustable armrest
- 3: Moulded foam with up and down adjustable headrest
- 4:Four position lock mechanism.angle 21 titling .
- 5:Chrome base



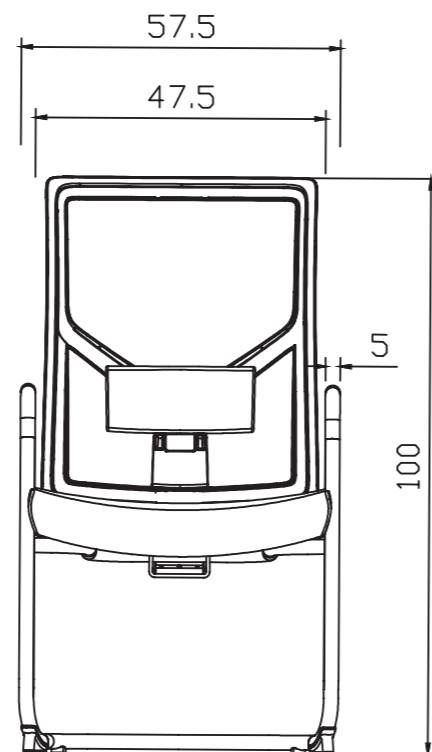
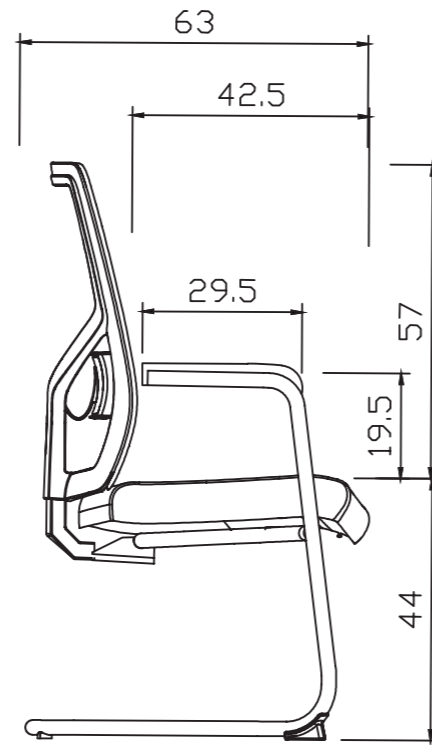
EVL-004B



Remark

- 1:White Frame Office chair
- 2:3D adjustable armrest
- 3:Four position lock mechanism.angle 21 titling .
- 4:Chrome base

CH-226C-GY

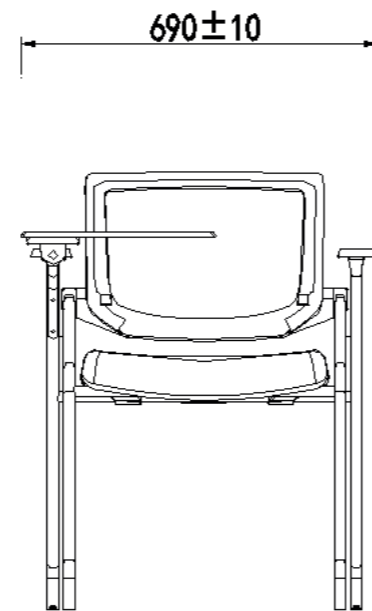
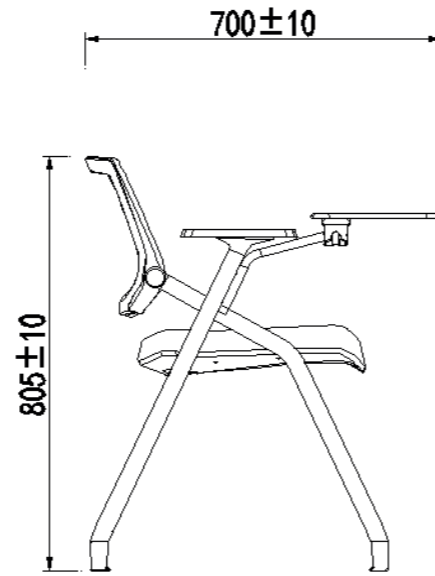


Remark

- 1: White glass fiber fram with black PP fixed armrest
- 2: Moulded foam



HY-128C

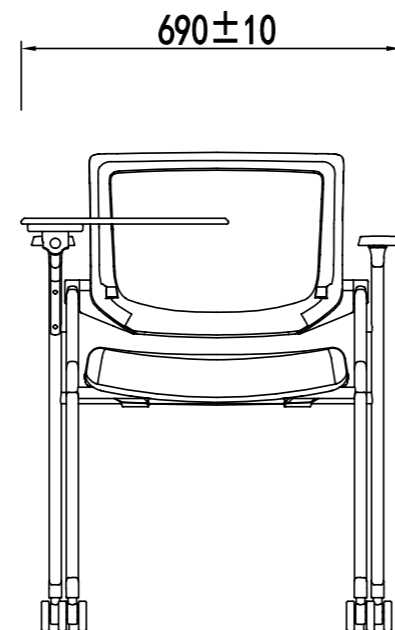
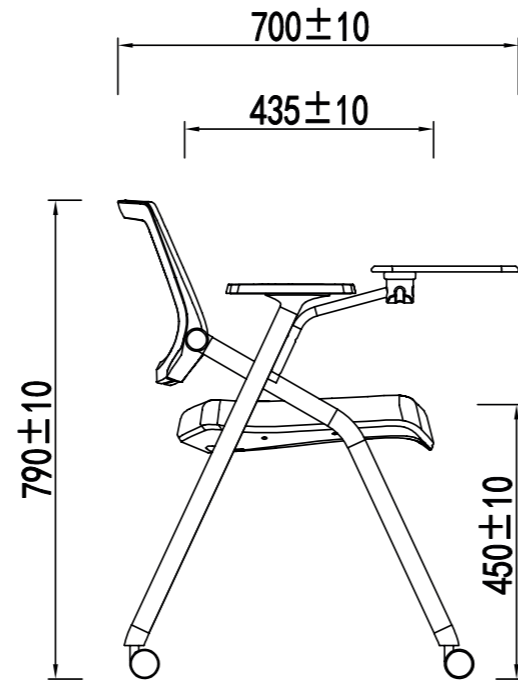


Remark

- 1:High quality black nylon glass fiber frame with mesh
- 2:titling back and sliding armrest
- 3:Turnable writing pad
- 4:Folding leg



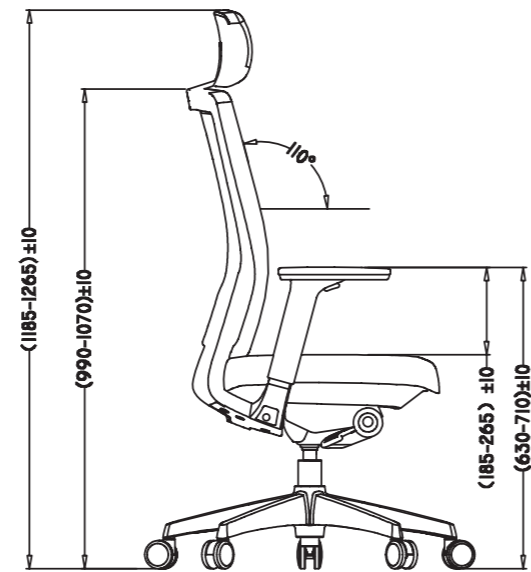
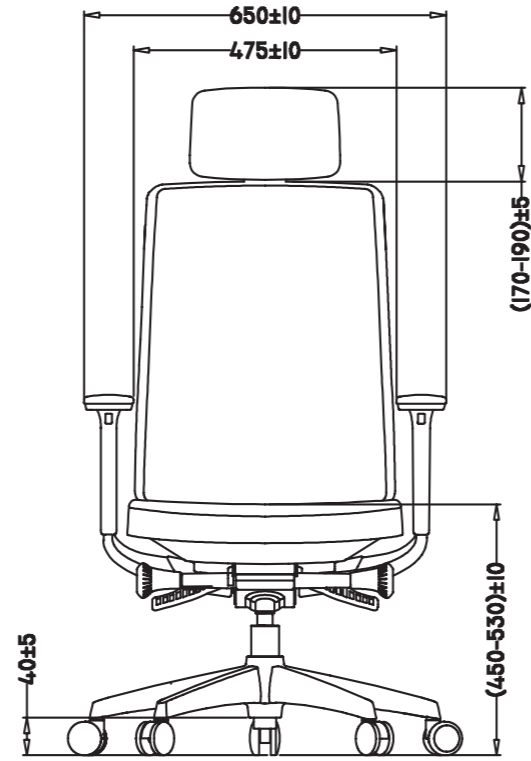
HY-128D



Remark

- 1:High quality black nylon glass fiber frame with mesh
- 2:titling back and sliding armrest
- 3:Turnable writing pad
- 4:Folding leg with wheels

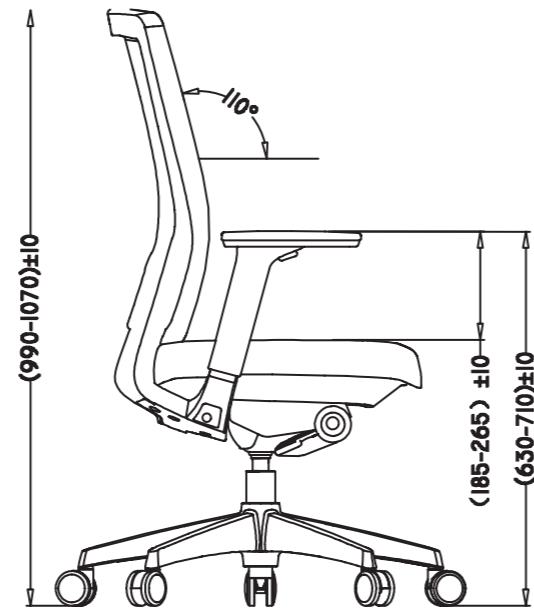
VIX A



Remark

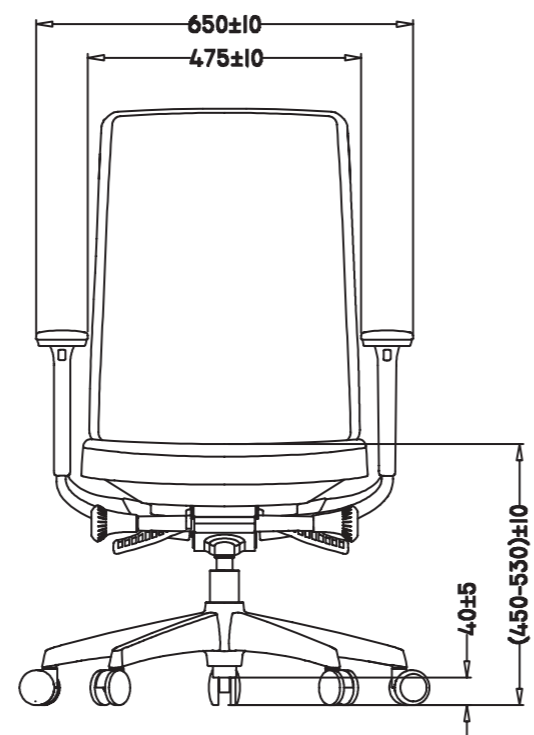
- 1:High back PU chair with adjustable headrest
- 2:Moulded foam with adjustable armrest
- 3:3 locking mechanism
- 4:Grey nylon base with Korea KGS gaslift.60MM pu casters

VIX B



Remark

- 1:Medium back office chair
- 2:Moulded foam with adjustable armrest
- 3:3 locking mechanism
- 4:Grey nylon base with Korea KGS gaslift.60MM pu casters



S04-1 Single Black PU



S04-3 Three Seater



Colorful chair



CH-226A



CH-247A



CH-226B-BS



Colorful chair



CH-267ALP Chrome



CH-267BLP Chrome



CH-267A-NL



CH-267B-NL

